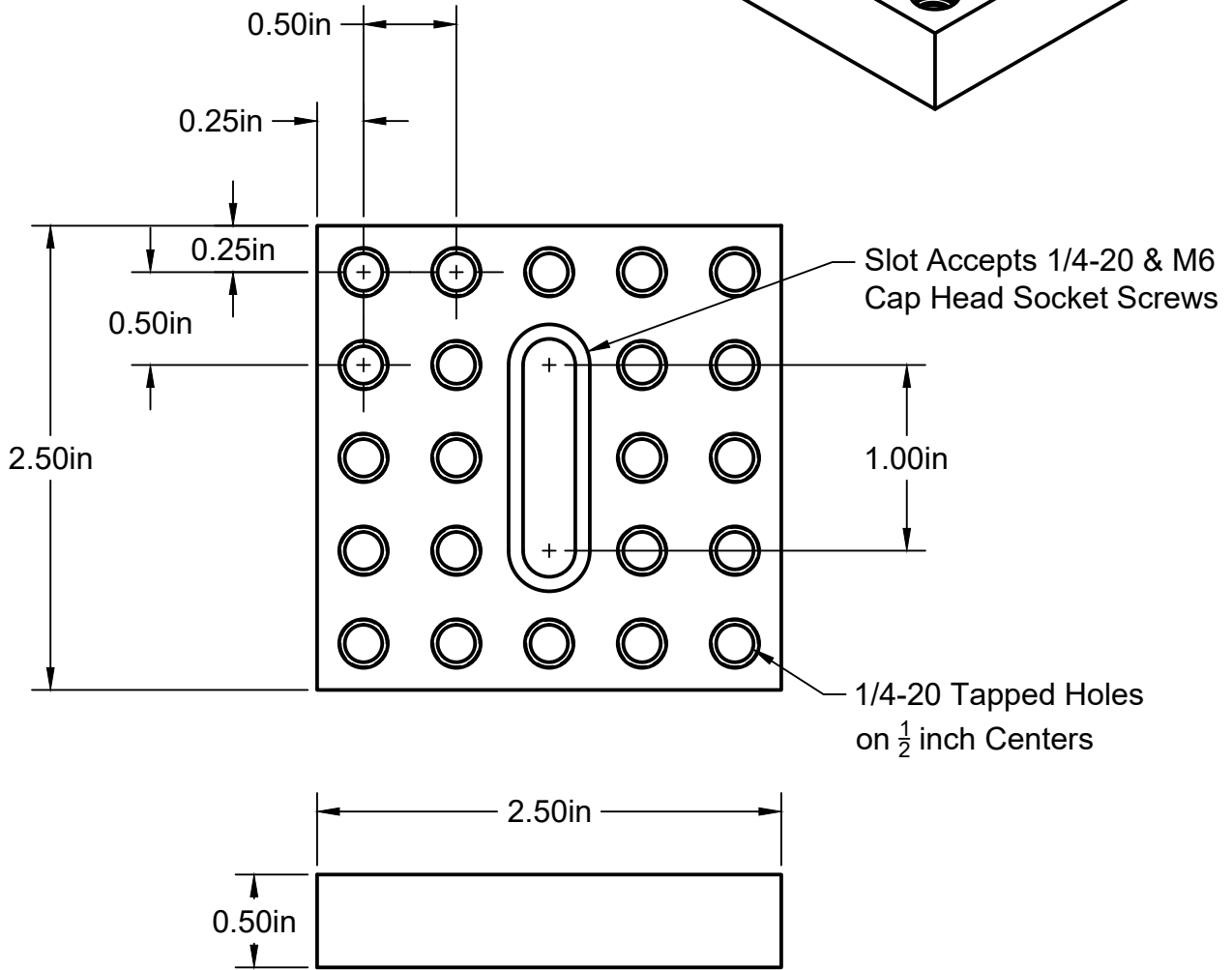
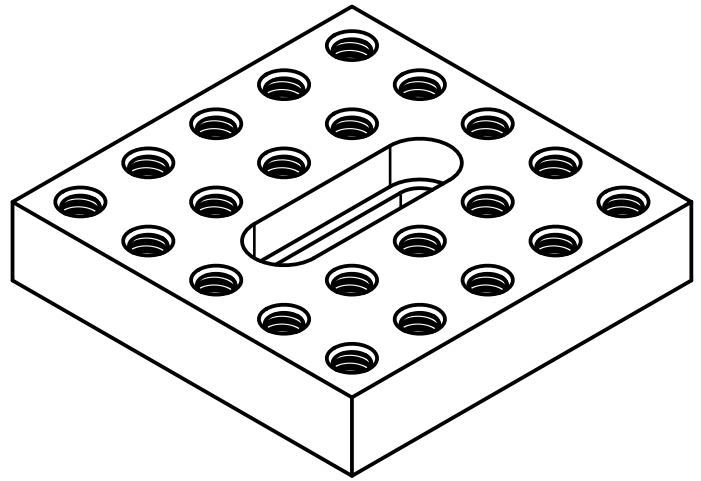


Ideal Use

- Adapt US (imperial) items to metric surfaces and custom orientations
- Larger mounting surface for smaller form factor parts

Features

- Black anodized aluminum
- Available un-anodized on demand



For information only, not for manufacturing. Subject to change without notice.
 © 2018 Base Lab Tools Inc, All Rights Reserved.

Base Lab Tools Inc 140 N 2nd St, #3 Stroudsburg, PA 18360 www.BaseLabTools.com Phone: 570-371-5710		PROJECT			
		Support Drawing			
		TITLE			
		MP01 - 2.5 in x 2.5 in x 1/2 in Mounting Platform			
APPROVED JM	11/14/2018	SIZE	CODE	DWG NO	REV
CHECKED JM	11/14/2018	A		MP01	1
DRAWN JM	11/14/2018	SCALE 1:1		WEIGHT 4 oz	SHEET 1/1