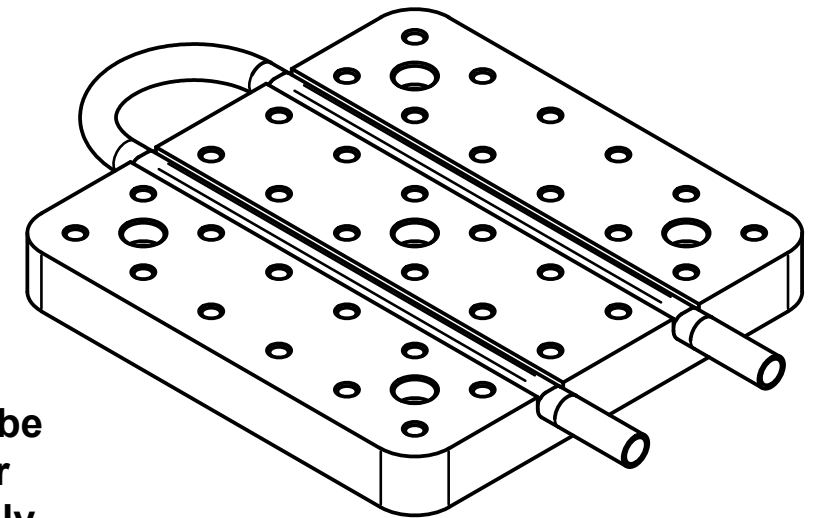


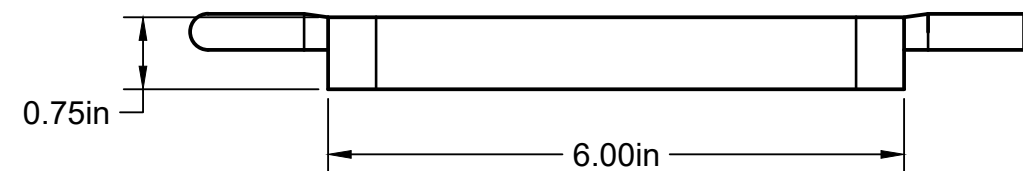
Double sided counterbore mounting holes in 5 places.

For maximum cooling mount heat source directly against copper tubes. Or, mount the heat source on the other sided and use the aluminum body of the breadboard as a large heat sink.

**SECTION A-A
SCALE 1:2**



The liquid cooled breadboard is designed to be used with your chiller. For this to be used for cooling a chiller must be purchased separately.



For information only, not for manufacturing
Item/Drawing is subject to change without notification
© 2018 Base Lab Tools Inc, All Rights Reserved

Base Lab Tools Inc 140 N 2nd St, #3 Stroudsburg, PA 18360 www.BaseLabTools.com Phone: 570-371-5710		PROJECT			
		Support Drawings			
		TITLE			
		SAB0606-W Liquid Cooled Solid Aluminum Breadboard			
APPROVED JM	1/5/18	SIZE	CODE	DWG NO	REV
CHECKED JM	1/5/18	B		SAB0606-W	5
DRAWN JM	1/5/2018	SCALE 1:2	WEIGHT 2.6 lbs	SHEET 1/1	