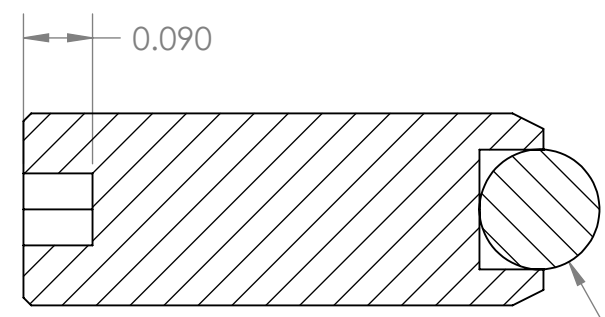


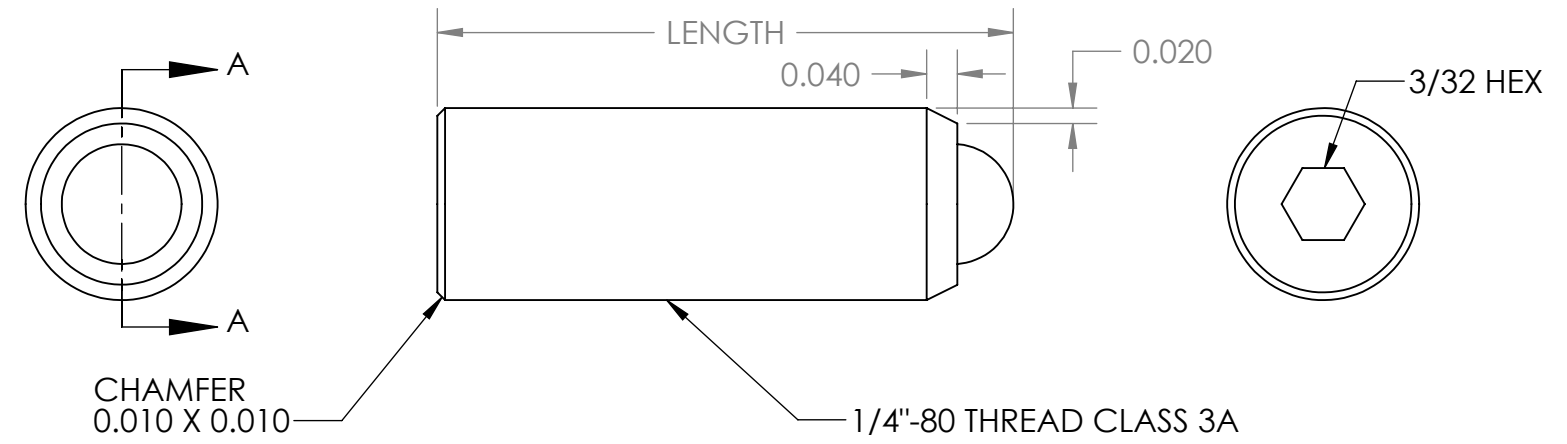
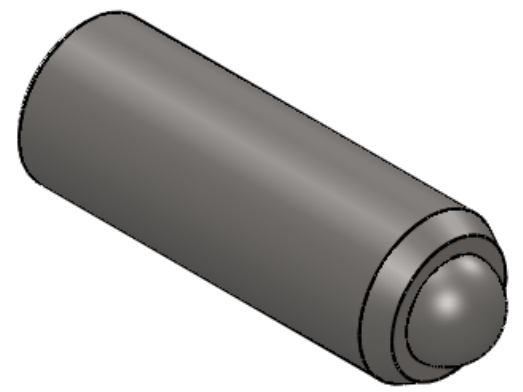
ITEM NUMBER	LENGTH
TS250-80-0313	0.313
TS250-80-0375	0.375
TS250-80-0438	0.438
TS250-80-0500	0.500
TS250-80-0625	0.625
TS250-80-0750	0.750
TS250-80-1000	1.000
TS250-80-1125	1.125
TS250-80-1250	1.250
TS250-80-1500	1.500
TS250-80-1750	1.750
TS250-80-2000	2.000
TS250-80-2125	2.125
TS250-80-2250	2.250
TS250-80-2500	2.500
TS250-80-2750	2.750
TS250-80-3000	3.000
TS250-80-3125	3.125
TS250-80-3250	3.250
TS250-80-3500	3.500
TS250-80-3750	3.750
TS250-80-4000	4.000
TS250-80-6000	6.000

REVISIONS				
ZONE	REV.	DESCRIPTION	DATE	APPROVED
	A	FIRST RELEASE	1/20/2012	LS



SECTION A-A

Ø0.1563 BALL
5/32" Hard 53RC
PRESSED IN HOLE



CHAMFER
0.010 X 0.010

1/4"-80 THREAD CLASS 3A

DRAWN	JM	04/10/12	BASE OPTICS LLC TITLE: 1/4"-100 FINE ADJUSTER SCREW		
APPROVED	GE	01/20/12			
MATERIAL	18-8 (303)				
FINISH	N/A		SIZE	ITEM NO.	REV
NOTE	BETTER THAN CLASS 3		B	TS250-80-XXXX	A
COPYRIGHT © 2012 BY BASE OPTICS			SCALE: 4:1	WEIGHT: N/A lbs	SHEET 1 OF 1

FOR INFORMATION ONLY
NOT FOR MANUFACTURING
ITEM / DRAWING IS SUBJECT TO CHANGES WITOUT NOTIFICATION