

Table of Standard Length Parts	
Item Number	Length L (inches)*
X2020-09	9
X2020-12	12
X2020-15	15
X2020-18	18
X2020-20	20
X2020-21	21
X2020-24	24
X2020-27	27
X2020-30	30
X2020-33	33
X2020-36	36
X2020-45	45
X2020-48	48
X2020-57	57
X2020-60	60

See Sheet 2 for important details about the cut length

\* Rails are cut 5.4mm oversized to facilitate 1in spacing when joined.

For information only, not for manufacturing subject to change without notice.  
 ©2019 Base Lab Tools Inc, All Rights Reserved.

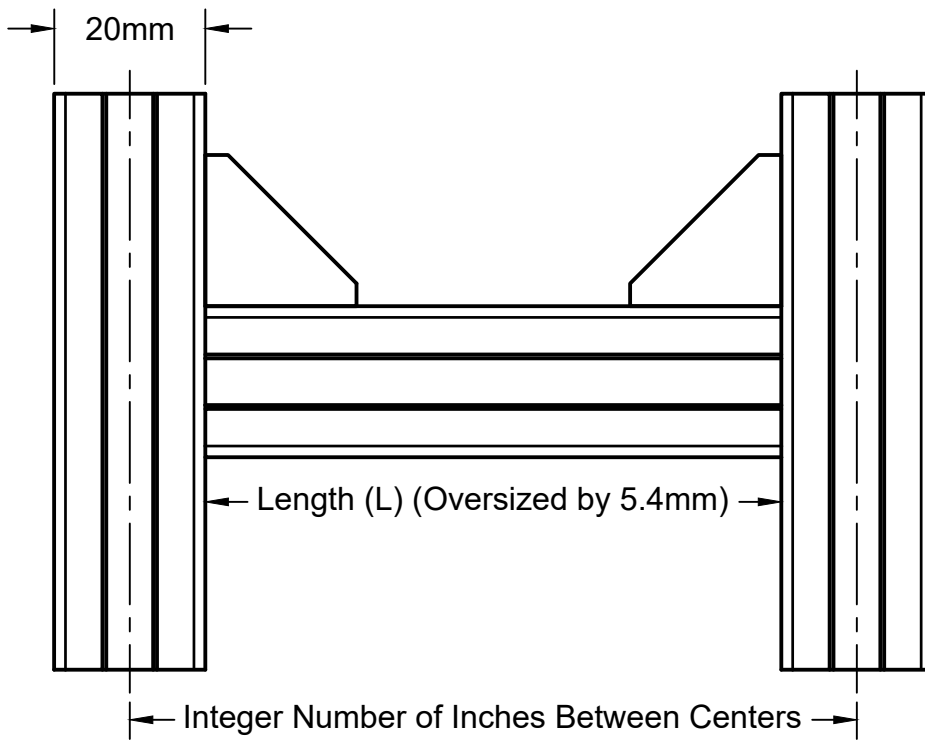
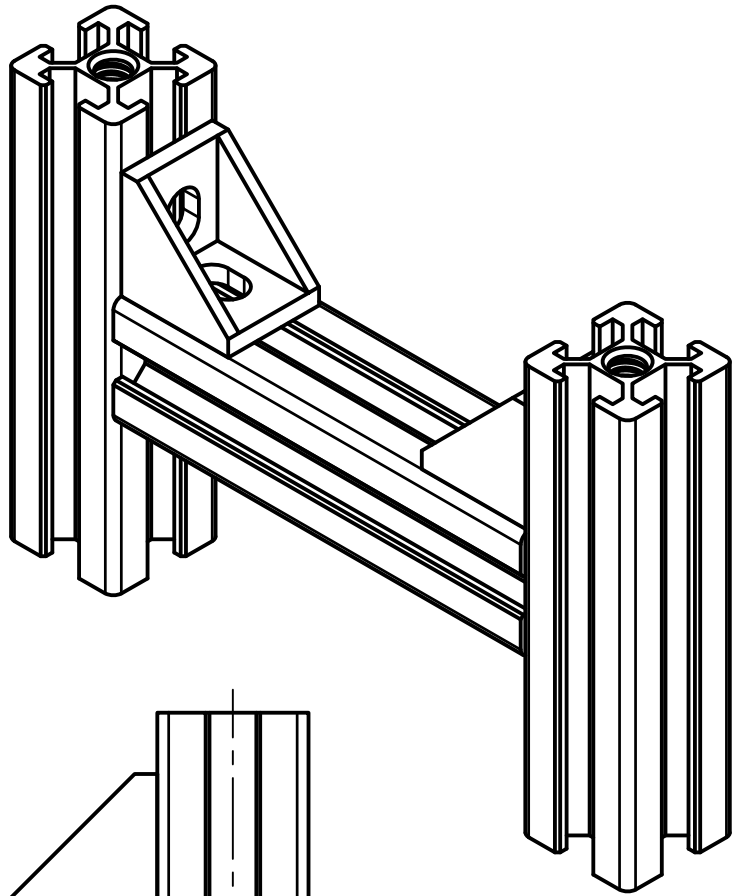
<b>Base Lab Tools Inc</b> 140 N 2nd St, #3 Stroudsburg, PA 18360 www.BaseLabTools.com Phone: 570-371-5710			PROJECT			
			<b>Support Drawing</b>			
			TITLE			
			<b>X2020 US (Imperial) Length          20mm X 20mm Aluminum Rail</b>			
APPROVED JM	1/30/2019	SIZE	CODE	DWG NO	REV	
CHECKED JM	1/30/2019	A		X2020-XX Construction Rails	2	
DRAWN JM	1/30/2019	SCALE 1:1		WEIGHT	SHEET 1/2	

## 5.4mm Oversized Cuts

In order to easily allow structures to be built on imperial breadboards, all standard parts are cut 5.4mm oversize.

The extra 5.4mm of length accommodate the 20mm width of the standard rail when building a cross beam system on a US (imperial) optical breadboard.

When used in the cross beam configuration below the oversized rails provide a spacing between centers that is 1in more than the nominal rail length.



**Center Distance = L + 1**

For information only, not for manufacturing subject to change without notice.  
©2019 Base Lab Tools Inc, All Rights Reserved.

**Base Lab Tools Inc**

140 N 2nd St, #3  
Stroudsburg, PA 18360  
www.BaseLabTools.com  
Phone: 570-371-5710

PROJECT

**Support Drawing**

TITLE

**X2020 US (Imperial) Length  
20mm X 20mm Aluminum Rail**

APPROVED JM	1/30/2019	SIZE	CODE	DWG NO	REV
CHECKED JM	1/30/2019	A		X2020-XX	2
DRAWN JM	1/30/2019	SCALE 1:1		WEIGHT	SHEET 2/2