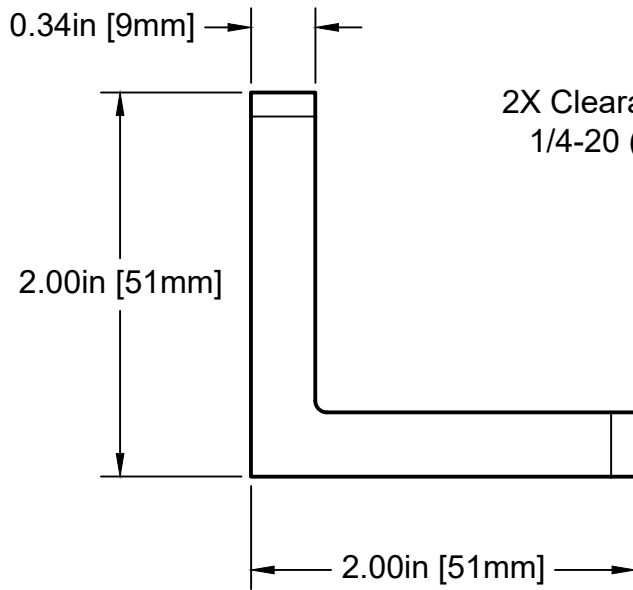
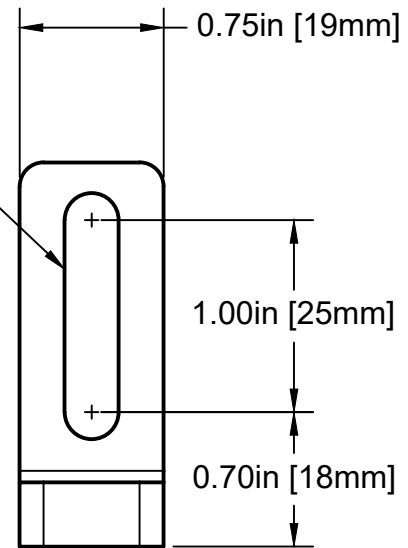


Features:

- Machined from one piece of solid aluminum
- Ideal for moving from a 2D to 3D optical setup.



2X Clearance slot for 1/4-20 (M6) screws



For information only, a not for manufacturing. Subject to change without notice.
 © 2025 Base Lab Tools Inc, All Rights Reserved.

Base Lab Tools Inc 90 N 1st Street Stroudsburg, PA 18360 www.BaseLabTools.com Phone: 570-371-5710			PROJECT			
			Support Drawing			
			TITLE			
			A90A - 2x2 Narrow Right Angle Slotted Bracket			
APPROVED JM	9/30/2020	SIZE	CODE	DWG NO	REV	
CHECKED JM	9/30/2020	A		A90A	A	
DRAWN JM	9/30/2020	SCALE 1:1		WEIGHT 1.07 oz (30.4 g)	SHEET 1/1	