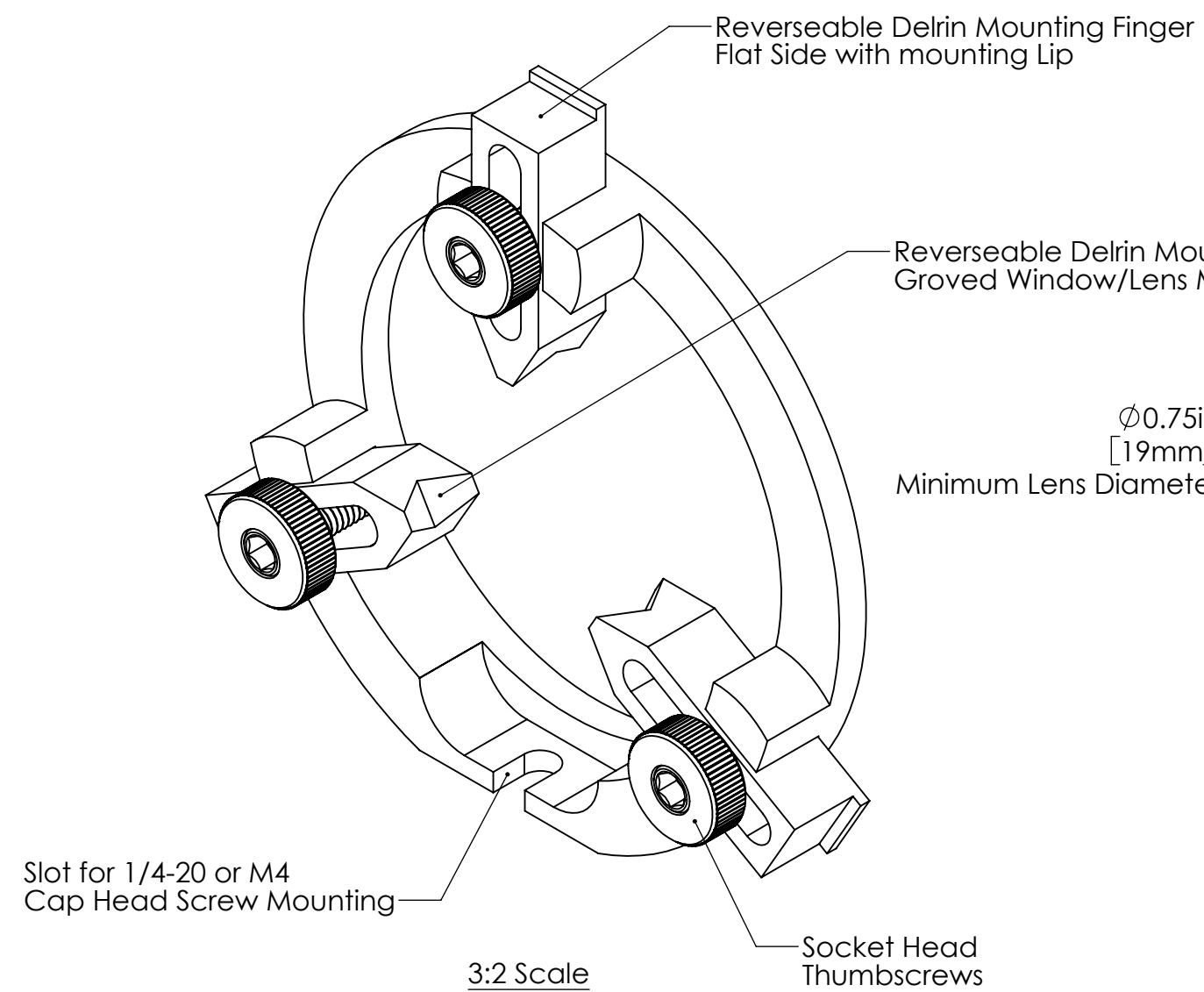


8 7 6 5 4 3 2 1

D
C
B
A

D
C
B
A



$\phi 0.75\text{in}$
[19mm]
Minimum Lens Diameter

$\phi 2.25\text{in}$
[57mm]
Maximum Lens Diameter

0.10in
[3mm]

1.41in
[36mm]

2.91in
[74mm]

0.74in
[19mm]

0.50in
[13mm]

FOR INFORMATION ONLY
NOT FOR MANUFACTURING
INFORMATION/ITEM SUBJECT TO CHANGE WITHOUT NOTICE

© 2016 Base Lab Tools Inc, All Rights Reserved

Base Lab Tools Inc

TITLE:
Adjustable Lens Mount
0.75" - 2.25" (19mm -
57mm)

SIZE B	DWG. NO. ALM020	REV A
------------------	--------------------	-----------------

SCALE: 1:1 WEIGHT: 0.07 kg SHEET 1 OF 1

8 7 6 5 4 3 2 1