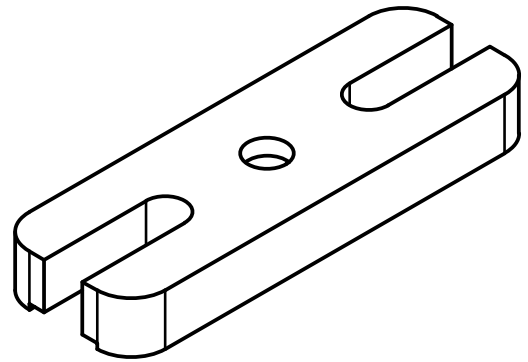
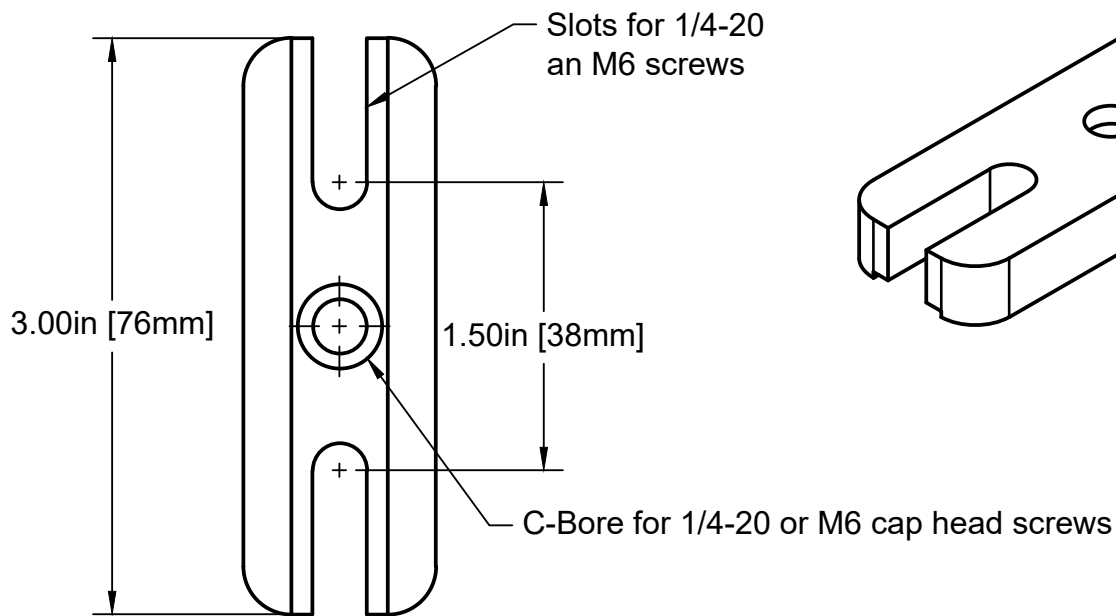
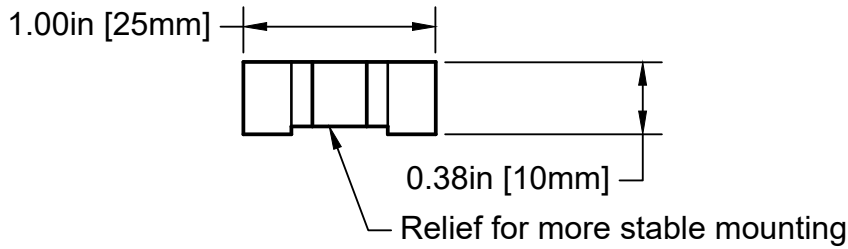


This mount is universal for both US (imperial) and metric mounting.



For information only, not for manufacturing subject to change without notice.
 © 2019 Base Lab Tools Inc, All Rights Reserved.

Base Lab Tools Inc 140 N 2nd St, #3 Stroudsburg, PA 18360 www.BaseLabTools.com Phone: 570-371-5710		PROJECT			
		Support Drawing			
		TITLE			
		B1X3 - 1in x 3in Mounting Base For Both Metric & US Mounting			
APPROVED JM	12/20/2018	SIZE	CODE	DWG NO	REV
CHECKED JM	12/20/2018	A		B1X3	3
DRAWN JM	12/20/2018	SCALE 1:1		WEIGHT 1oz (37g)	SHEET 1/1