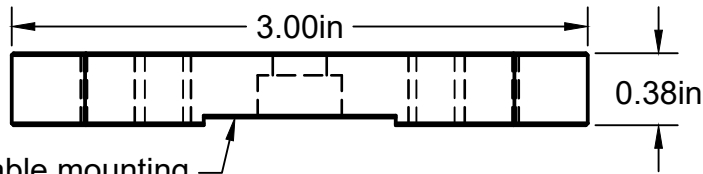
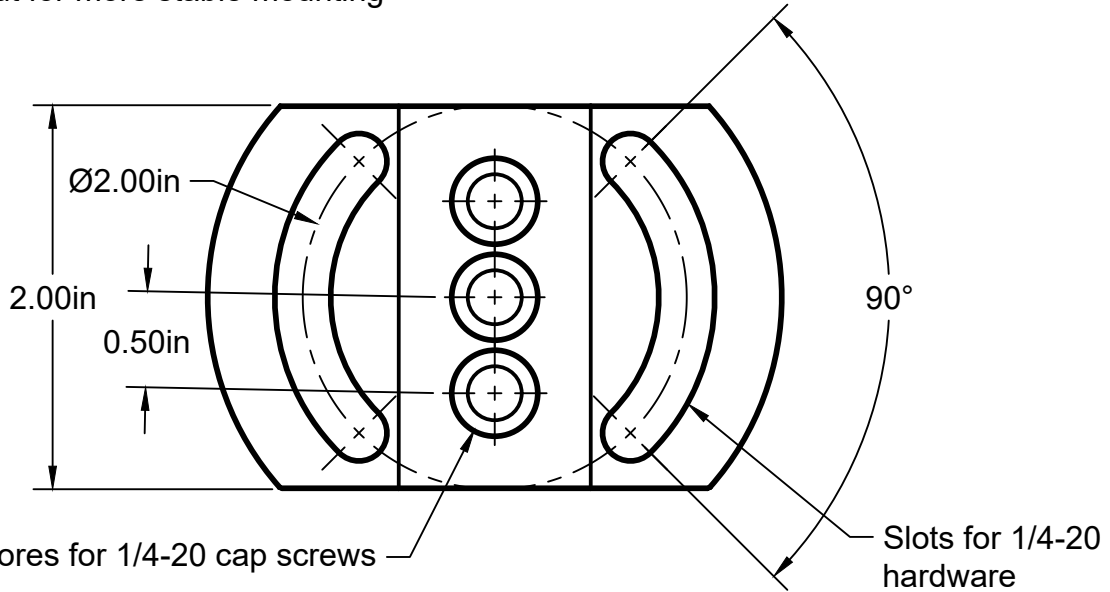


Allows full 90° rotation



Relief cut for more stable mounting



C-Bores for 1/4-20 cap screws

Slots for 1/4-20 hardware

For information only, not for manufacturing subject to change without notice.
 © 2018 Base Lab Tools Inc, All Rights Reserved.

| | | | | | |
|---|------------|---|------|-------------|-----------|
| Base Lab Tools Inc 140 N 2nd St, #3 Stroudsburg, PA 18360 www.BaseLabTools.com Phone: 570-371-5710 | | PROJECT | | | |
| | | Support Drawing | | | |
| | | TITLE | | | |
| | | B2X3C - Rotating 2in x 3in Mounting Base | | | |
| APPROVED JM | 12/21/2018 | SIZE | CODE | DWG NO | REV |
| CHECKED JM | 12/21/2018 | A | | B2X3C | 1 |
| DRAWN JM | 12/21/2018 | SCALE 1:1 | | WEIGHT 3 oz | SHEET 1/1 |