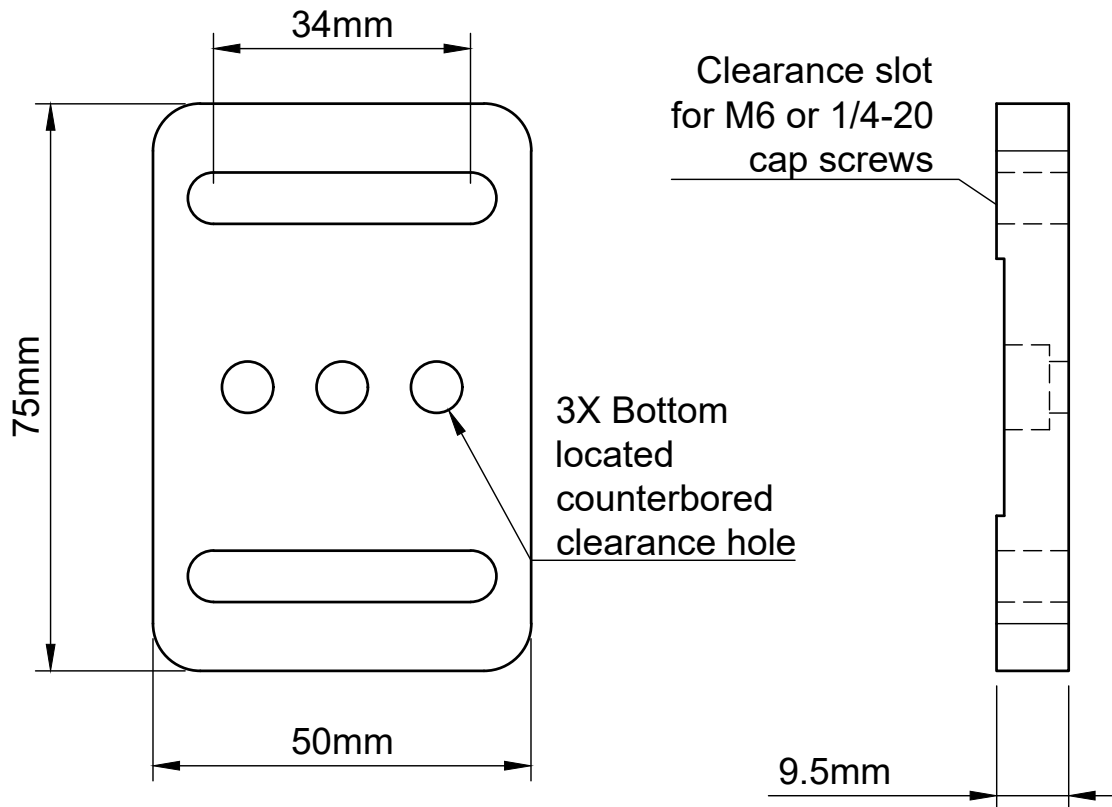


Features:

- Three counterbored holes for M6 and 1/4-20 screws.
- Ideal for mounting posts and post holders.
- Machined relief cut to assure a flat and stable mount to the surface.



For information only, not for manufacturing. Subject to change without notice. © 2021 Base Lab Tools Inc, All Rights Reserved.

Dept.	Technical reference m=72g	Created by JPB	1/29/2021	Approved by JM	2/8/2021
<b>Base Lab Tools</b> 140 N 2nd St Stroudsburg, PA 18360 www.BaseLabTools.com Phone: 570-371-5710		Document type Support Drawing	Document status		
		Title 50mm X 75mm X 9.5mm Solid Aluminum Mounting Base	DWG No. <b>B50X75-M</b>		
		Rev. 4	Date of issue 2/10/2021	Sheet 1/1	