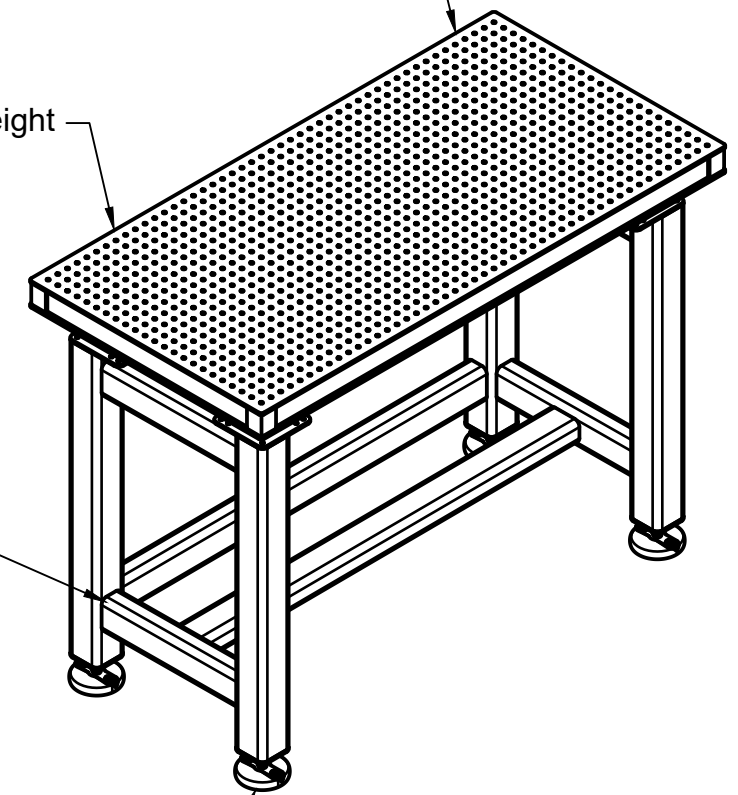


Weight Range With Breadboard + Load =  
97 lbs to 397 lbs  
[44 kg to 180 kg]

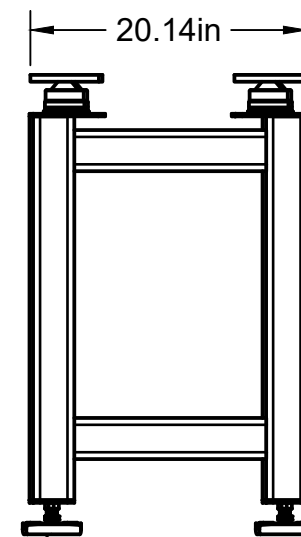
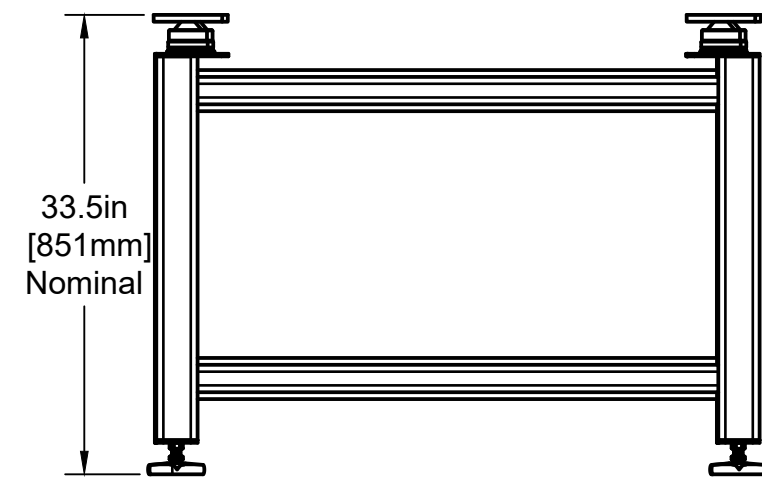
36in [914mm] Nominal Working Height

24in X 48in Breadboard  
(Not Included)



Fully Welded Steel Tubing For Stronger Support

Adjustable Height with Swivel Feet ( X 4)



Max Extension For Pads/Feet = 4.3in [109.2mm]

<b>Base Lab Tools Inc</b> 140 N 2nd St, #3 Stroudsburg, PA 18360 www.BaseLabTools.com Phone: 570-371-5710		PROJECT			
		Support Drawing			
		TITLE			
		BSS2448-P1-36 Steel Passive Breadboard Support			
APPROVED JM	3/19/2018	SIZE	CODE	DWG NO	REV
CHECKED JM	3/19/2018	B		BSS2448-P1-36	6
DRAWN BP	3/19/2018	SCALE 1:14	WEIGHT 119.36 lbs	SHEET 1/1	

For information only, not for manufacturing  
Item/Drawing is subject to change without notification  
© 2018 Base Lab Tools Inc, All Rights Reserved