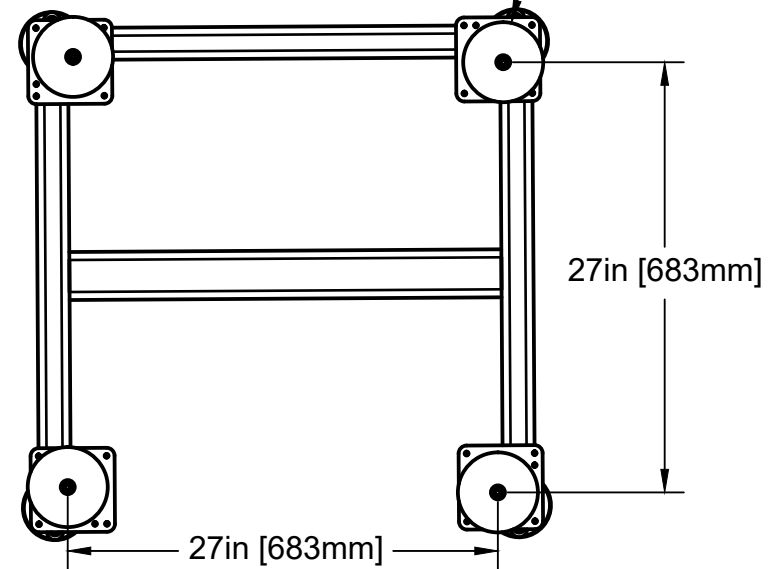


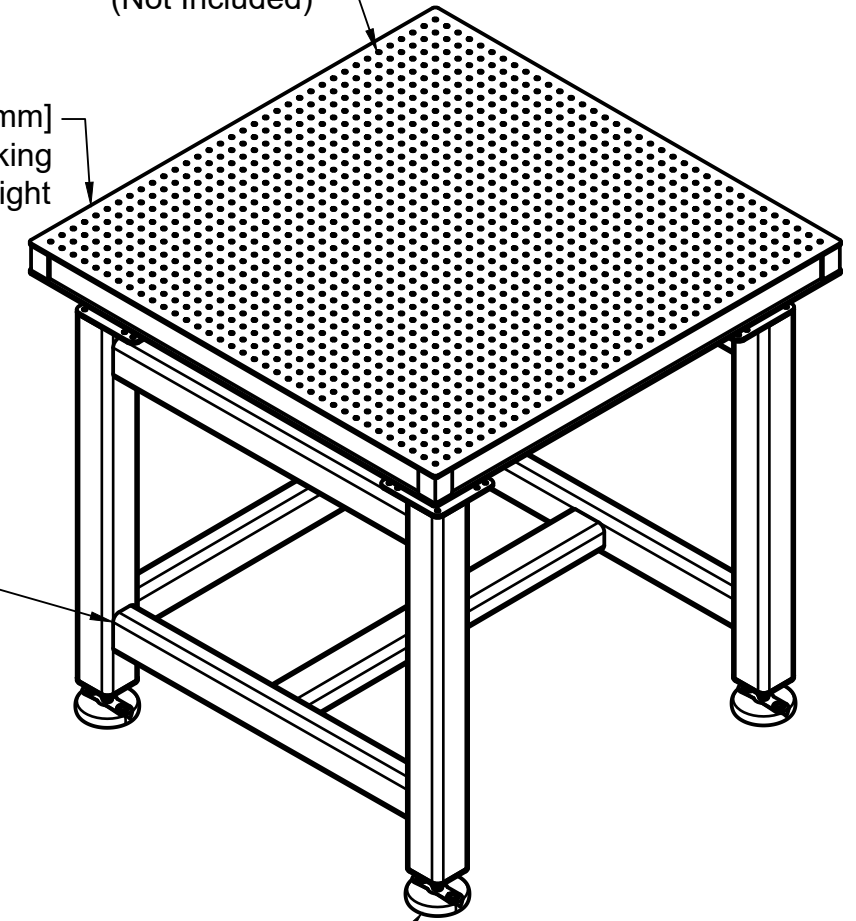
4X Medium Duty Passive Support



Weight Range With Breadboard + Load =  
97 lbs to 397 lbs  
[44 kg to 180 kg]

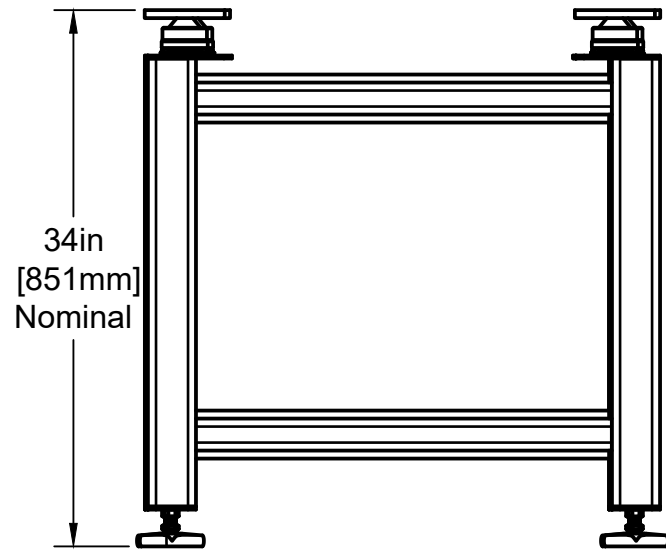
36in X 36in Breadboard  
(Not Included)

36in [914mm]  
Nominal Working Height

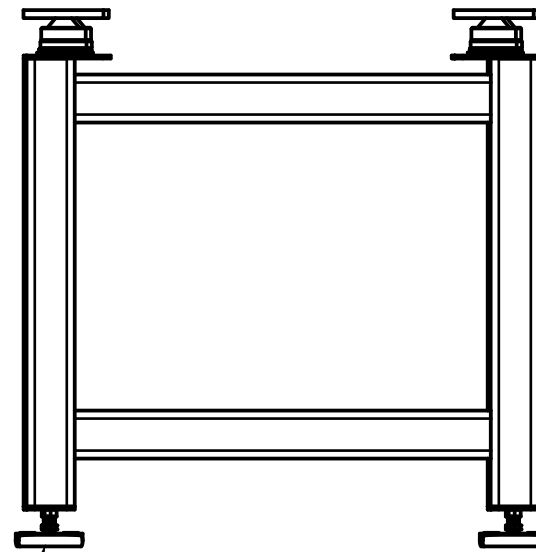


Fully Welded Steel Tubing For Stronger Support

Adjustable Height with Swivel Feet ( X 4)



34in  
[851mm]  
Nominal



Max Extension For Pads/Feet = 4.3in [109.2mm]

For information only, not for manufacturing  
Item/Drawing is subject to change without notification  
© 2018 Base Lab Tools Inc, All Rights Reserved

<b>Base Lab Tools Inc</b> 140 N 2nd St, #3 Stroudsburg, PA 18360 www.BaseLabTools.com Phone: 570-371-5710		PROJECT			
		<b>Support Drawing</b>			
		TITLE			
		<b>BSS3636-P1-36 Steel Passive Breadboard Support</b>			
APPROVED JM	3/19/2018	SIZE	CODE	DWG NO	REV
CHECKED JM	3/19/2018	B		BSS3636-P1-36	4
DRAWN BP	3/19/2018	SCALE 1:12	WEIGHT 117.5 lbs	SHEET 1/1	