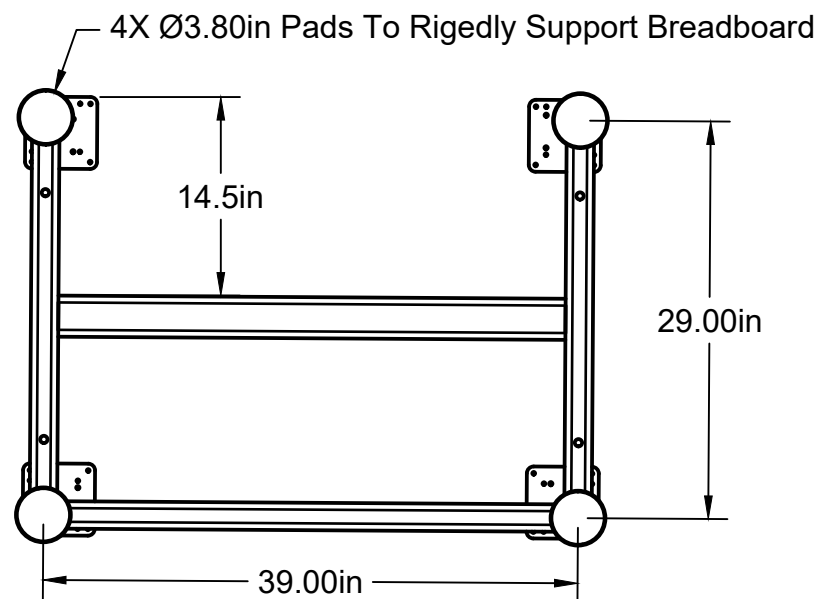
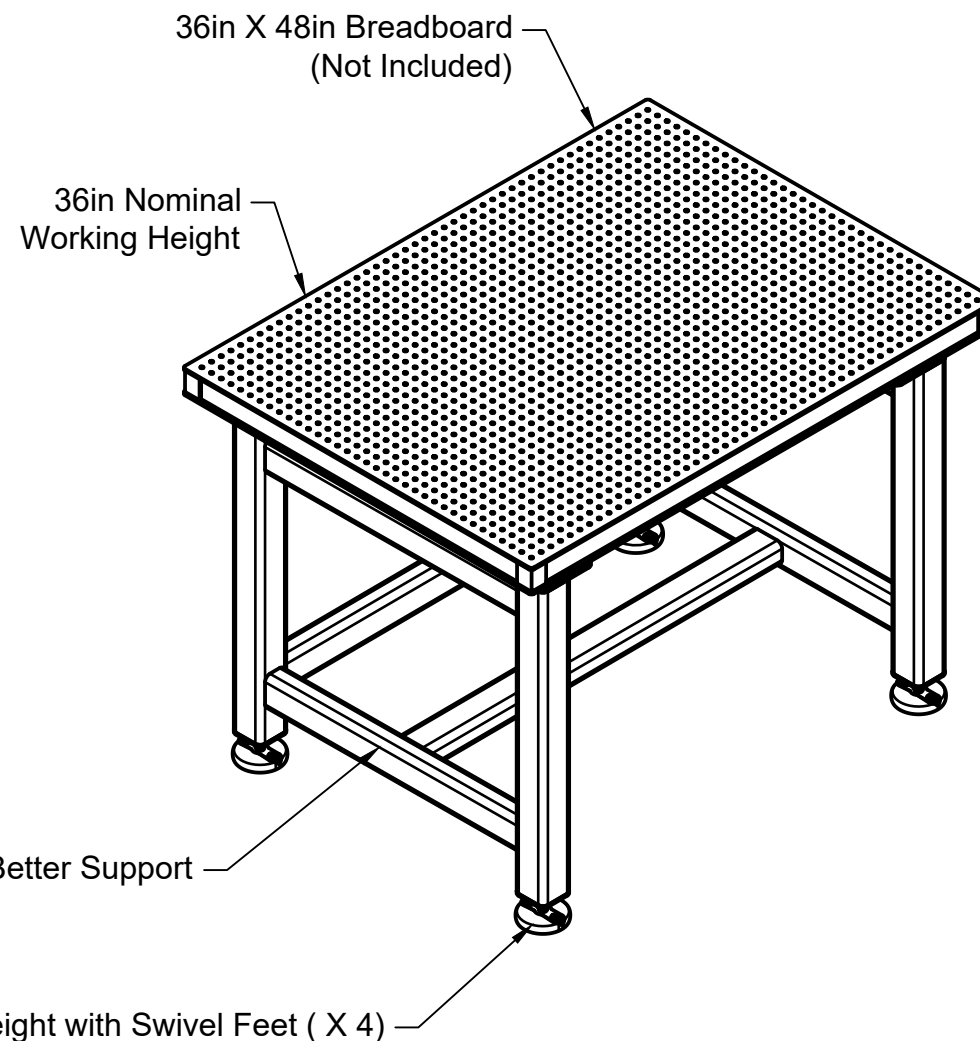


Max Height For Pads/Feet = 4.3in



Max Load 2000 lbs

For information only, not for manufacturing
 Item/Drawing is subject to change without notification
 © 2018 Base Lab Tools Inc, All Rights Reserved

Base Lab Tools Inc 140 N 2nd St, #3 Stroudsburg, PA 18360 www.BaseLabTools.com Phone: 570-371-5710		PROJECT			
		Support Drawing			
		TITLE			
		BSS3648-R-36 Steel Rigid Breadboard Support			
APPROVED JM	3/19/2018	SIZE	CODE	DWG NO	REV
CHECKED JM	3/19/2018	B		BSS3648-R-36	2
DRAWN BP	3/19/2018	SCALE 1:14	WEIGHT 130 lbs	SHEET 1/1	