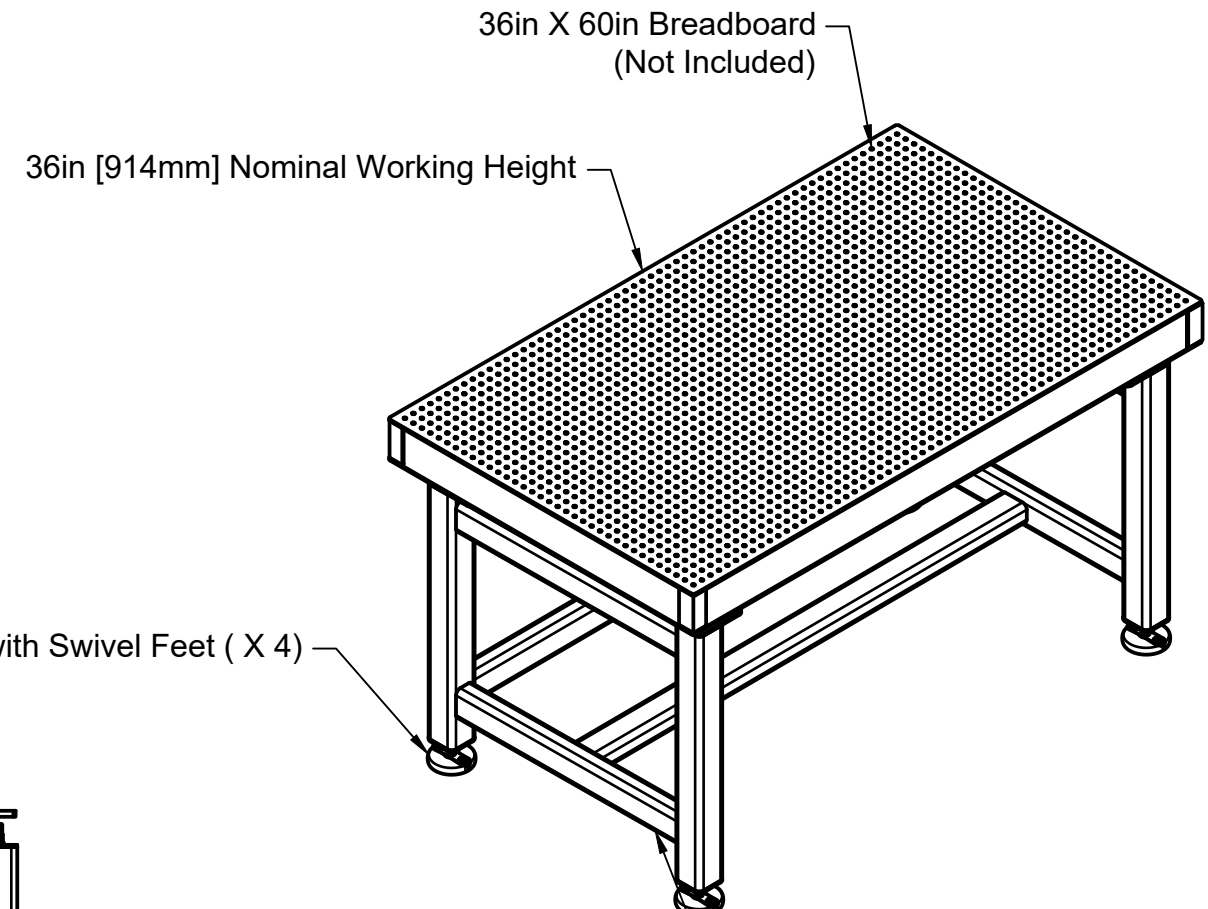
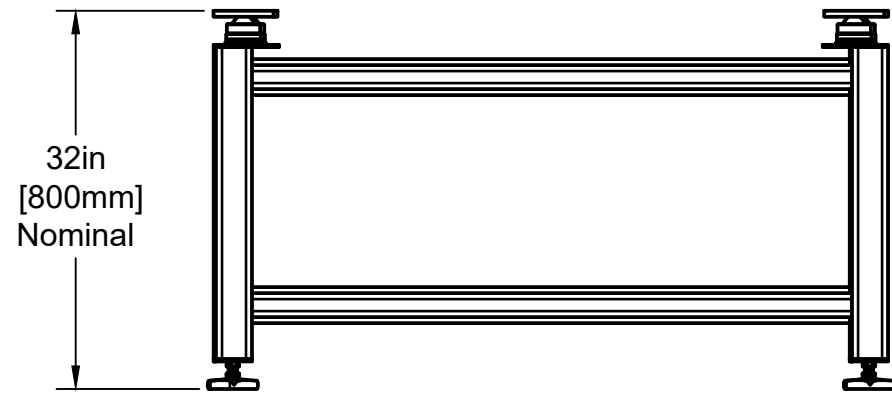


Weight Range With
Breadboard + Load=
97 lbs to 397 lbs
[44 kg to 180 kg]



Fully Welded Steel Tubing For Stronger Support



Max Extension For Pads/Feet = 4.3in [109.2mm]

For information only, not for manufacturing
Item/Drawing is subject to change without notification
© 2018 Base Lab Tools Inc, All Rights Reserved

Base Lab Tools Inc 140 N 2nd St, #3 Stroudsburg, PA 18360 www.BaseLabTools.com Phone: 570-371-5710		PROJECT			
		Support Drawing			
APPROVED JM 3/22/2018 CHECKED JM 3/22/2018 DRAWN BP 3/22/2018		TITLE			
		BSS3660-P1-36 Steel Passive Breadboard Support			
		SIZE	CODE	DWG NO	REV
		B		BSS3660-P1-36	9
		SCALE 1:16	WEIGHT 147.3 lbs	SHEET 1/1	