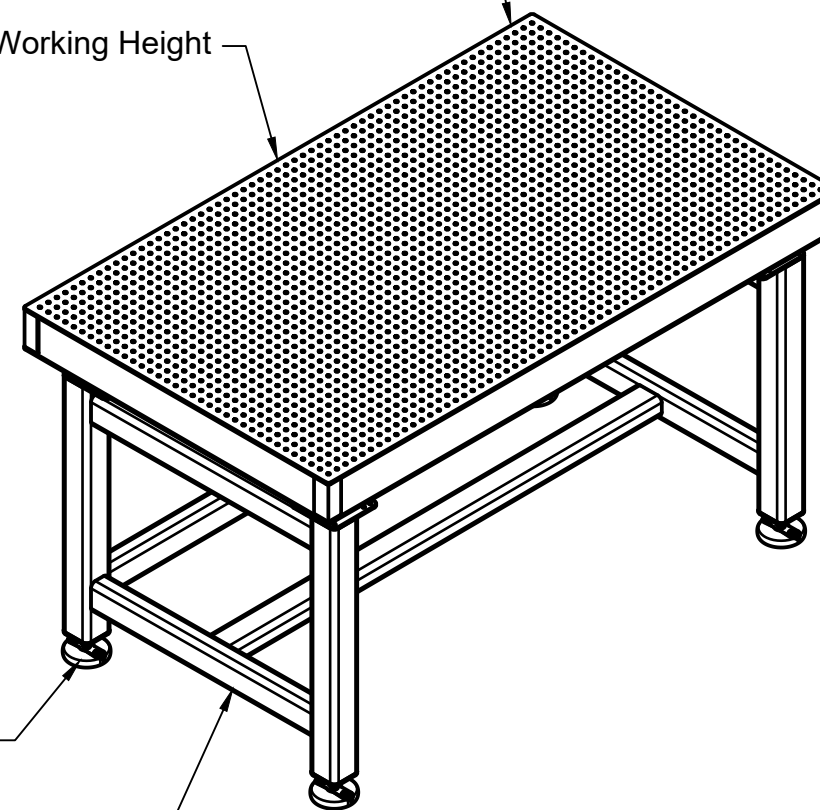


Max Height For Pads/Feet = 4.3in

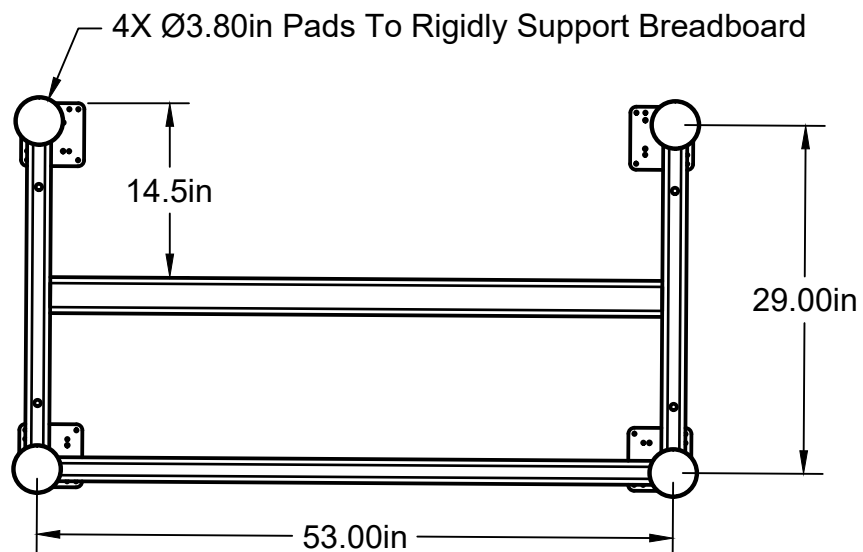
36in X 60in Breadboard
(Not Included)

36in Nominal Working Height



Adjustable Height with Swivel Feet (X 4)

Hollow Steel Tubing For Better Support



Max Load 2000 lbs

For information only, not for manufacturing
Item/Drawing is subject to change without notification
© 2018 Base Lab Tools Inc, All Rights Reserved

Base Lab Tools Inc 140 N 2nd St, #3 Stroudsburg, PA 18360 www.BaseLabTools.com Phone: 570-371-5710		PROJECT			
		Support Drawing			
		TITLE			
		BSS3660-R-36 Steel Rigid Breadboard Support			
APPROVED JM	3/22/2018	SIZE	CODE	DWG NO	REV
CHECKED JM	3/22/2018	B		BSS3660-R-36	3
DRAWN BP	3/22/2018	SCALE 1:16	WEIGHT 147.3 lbs	SHEET 1/1	