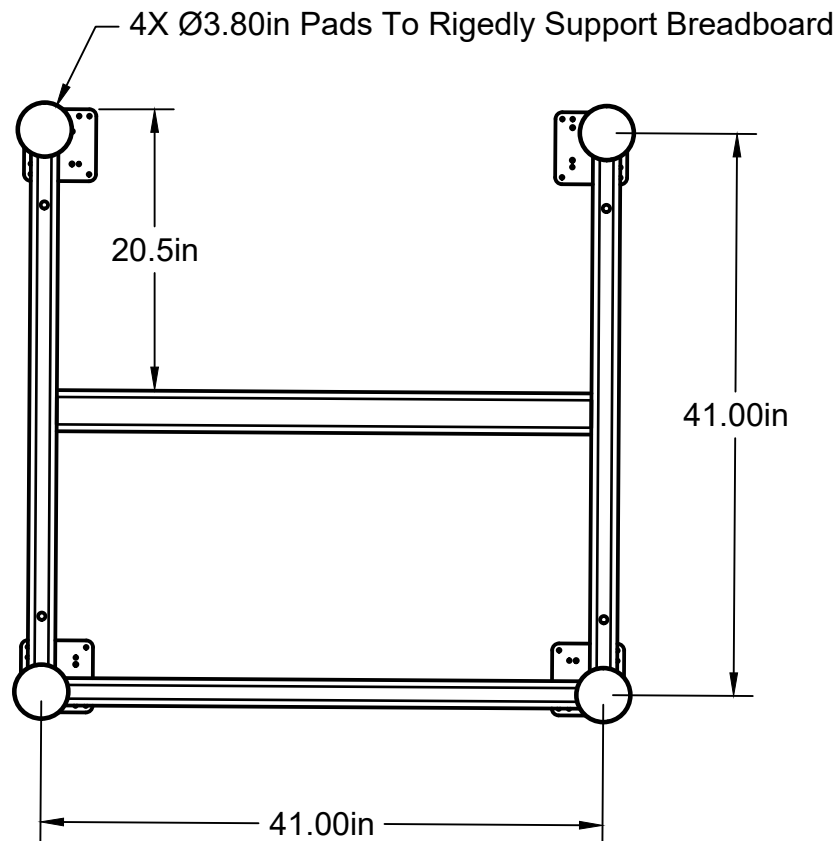
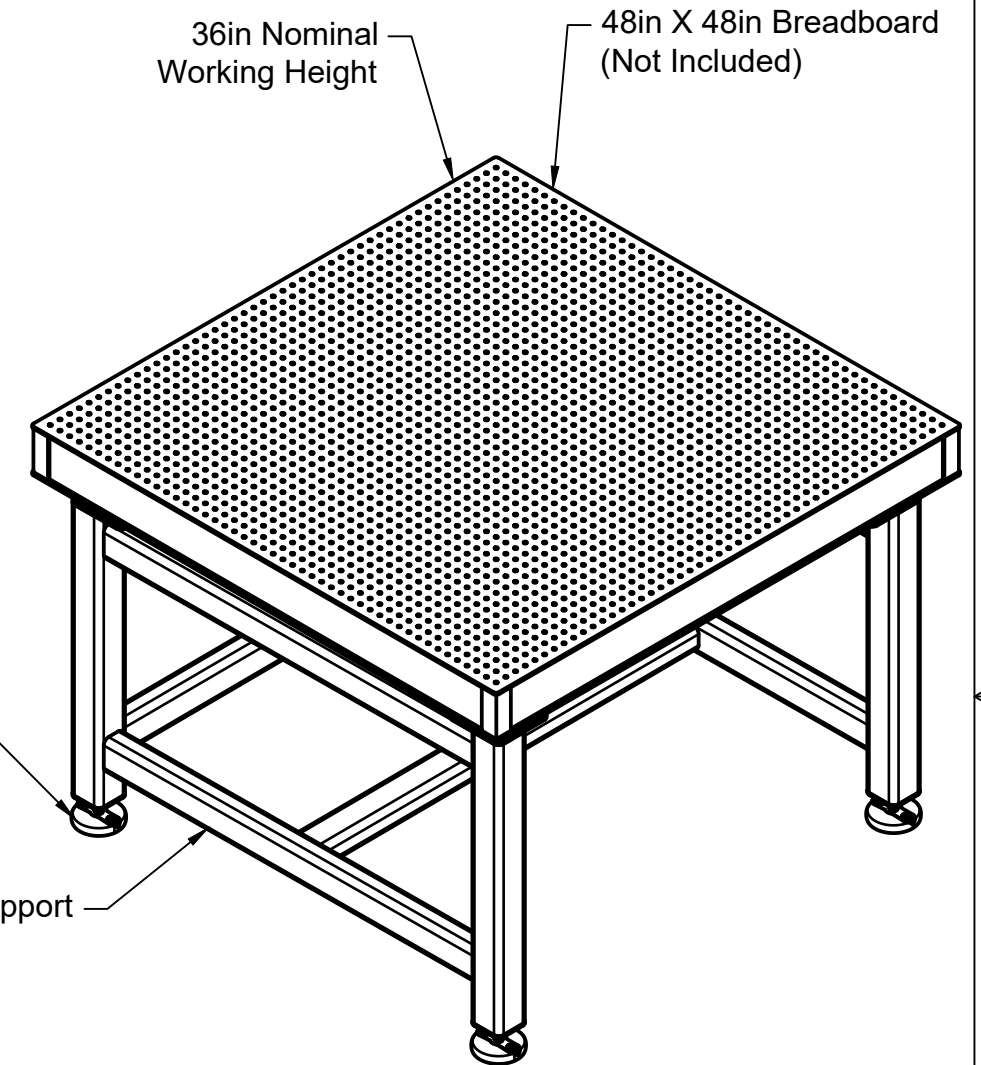


Max Height For Pads/Feet = 4.3in



Adjustable Height with Swivel Feet (X 4)

Hollow Steel Tubing For Better Support



Max Load 2000 lbs

Base Lab Tools Inc 140 N 2nd St, #3 Stroudsburg, PA 18360 www.BaseLabTools.com Phone: 570-371-5710		PROJECT			
		Support Drawing			
		TITLE			
		BSS4848-R-36Steel Rigid Breadboard Support			
APPROVED JM	3/20/2018	SIZE	CODE	DWG NO	REV
CHECKED JM	3/20/2018	B		BSS4848-R-36	3
DRAWN BP	3/20/2018	SCALE 1:14	WEIGHT 147.3 LBS	SHEET 1/1	

For information only, not for manufacturing
 Item/Drawing is subject to change without notification
 © 2018 Base Lab Tools Inc, All Rights Reserved