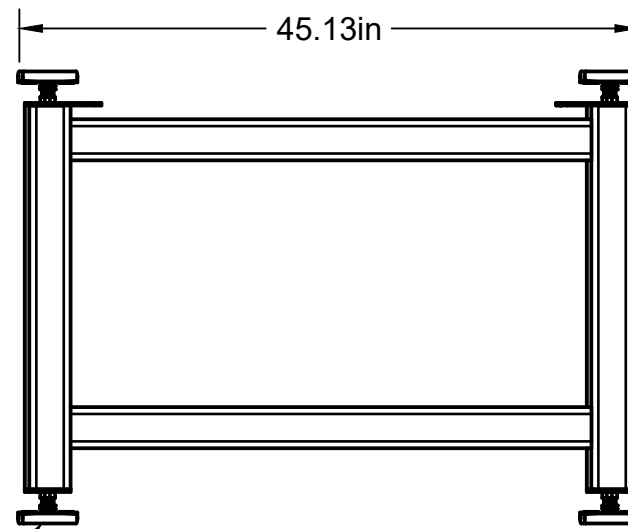


Nominal  
33.0in



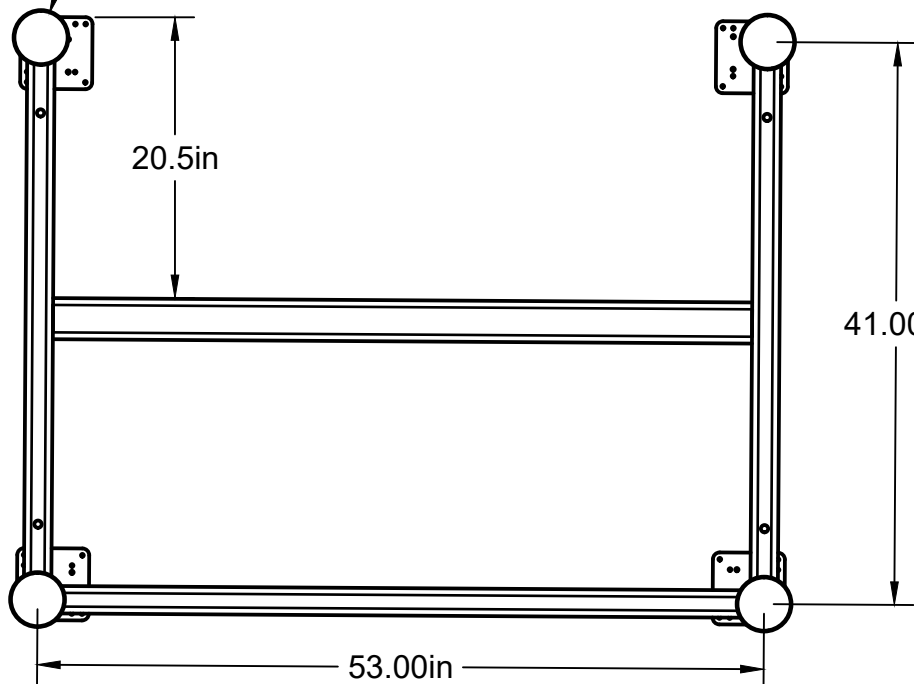
45.13in

48in X 60in Breadboard  
(Not Included)

36in Nominal  
Working Height

Max Height For Pads/Feet = 4.3in

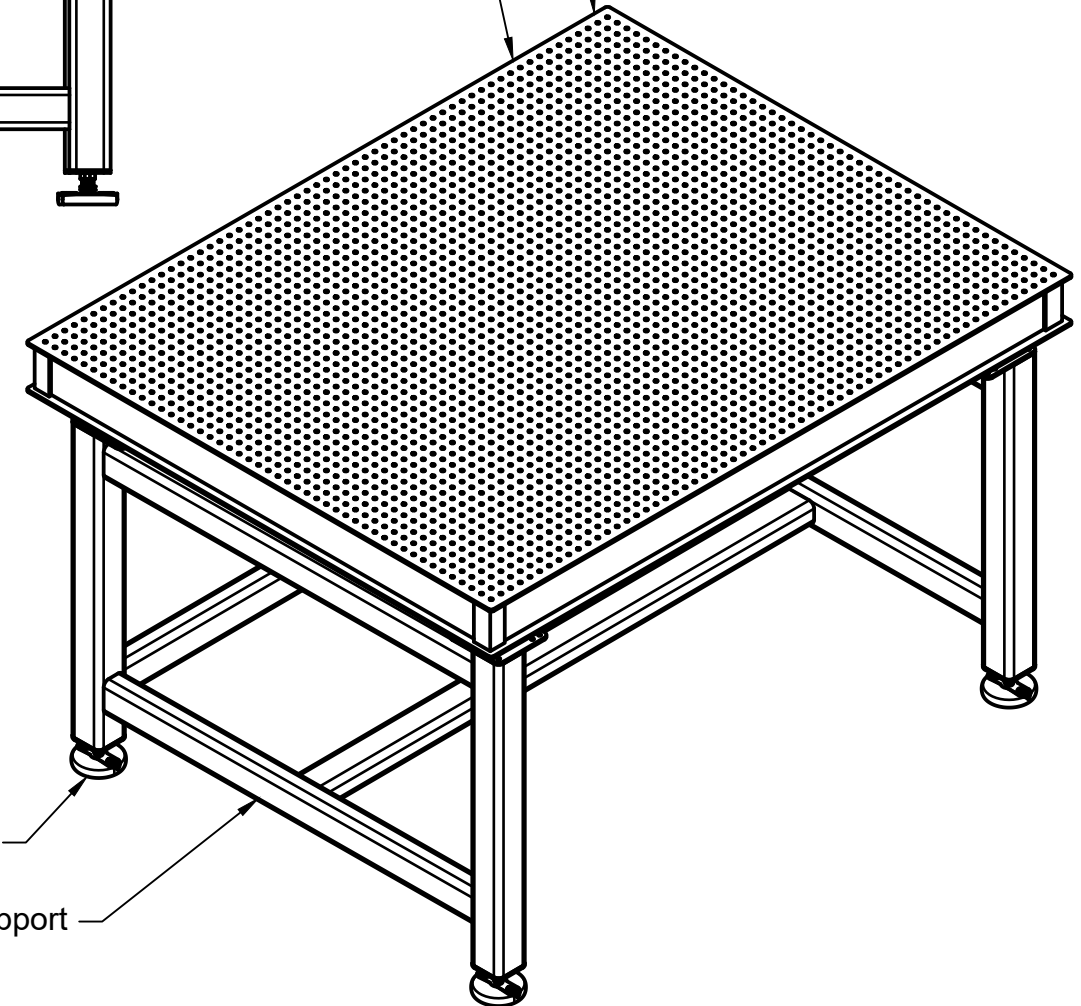
4X Ø3.80in Pads To Rigidly Support Breadboard



20.5in

41.00in

53.00in



Adjustable Height with Swivel Feet ( X 4)

Hollow Steel Tubing For Better Support

\*Max Load 2000 lbs\*

For information only, not for manufacturing  
Item/Drawing is subject to change without notification  
© 2018 Base Lab Tools Inc, All Rights Reserved

<b>Base Lab Tools Inc</b> 140 N 2nd St, #3 Stroudsburg, PA 18360 www.BaseLabTools.com Phone: 570-371-5710		PROJECT				
		Support Drawing				
		TITLE				
		BSS4860-R-36 Steel Rigid Breadboard Support				
		APPROVED JM	3/22/2018	SIZE	CODE	DWG NO
CHECKED JM	3/22/2018	B		BSS4860-R-36	2	
DRAWN BP	3/22/2018	SCALE 1:14		WEIGHT 162.2 lbs	SHEET 1/1	