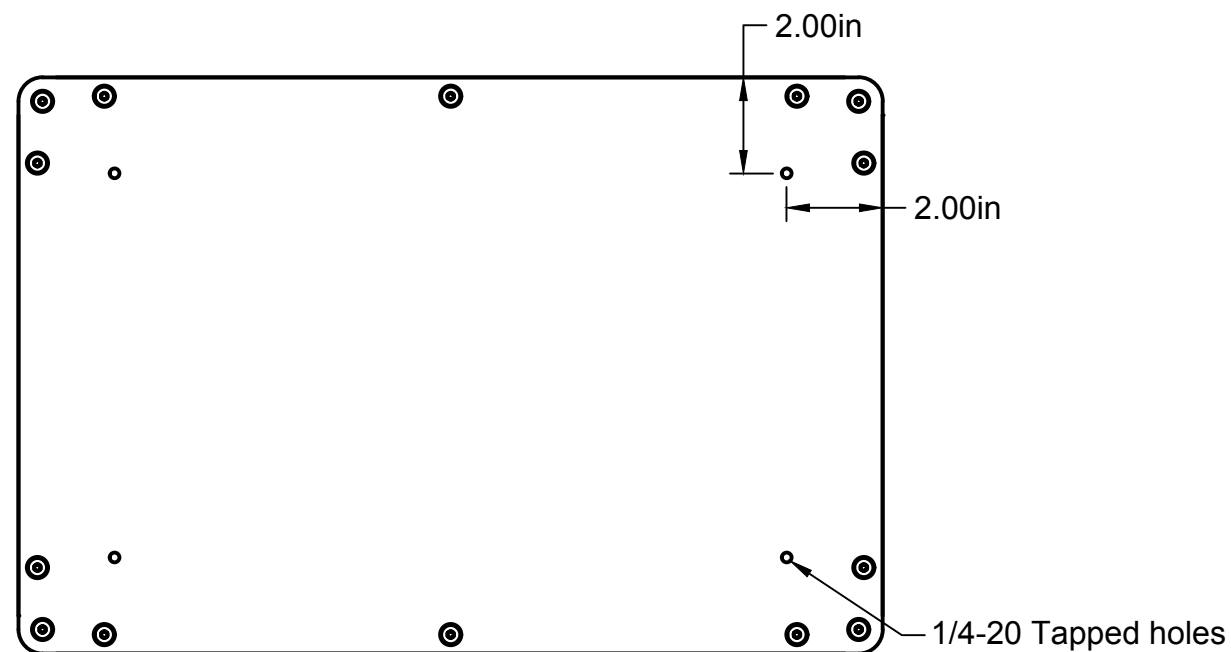
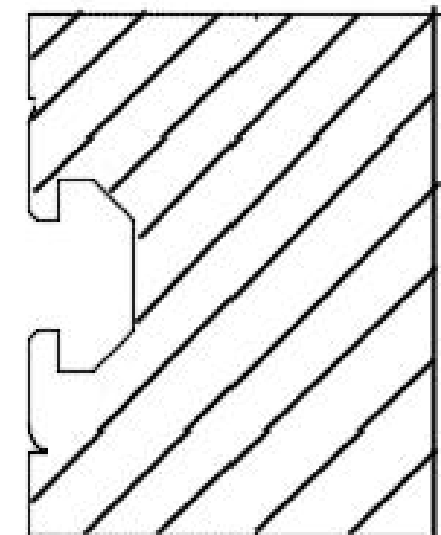


T-Slotted aluminum sides for equipment mounting purposes



Specifications

- Skins thickness: 3/16 in
- Core thickness: 20mm
- Max temperature range: -20°F to 200°F (-29°C to 93°C)
- Aluminum honeycomb core

For information only, not for manufacturing
 Item/Drawing is subject to change without notification
 © 2022 Base Lab Tools Inc, All Rights Reserved

Base Lab Tools Inc 90 N 1st St Stroudsburg, PA 18360 www.BaseLabTools.com Phone: 570-371-5710		PROJECT			
		Support Drawing			
		TITLE			
		12 in x 18 in T-Slot Honeycomb Breadboard			
APPROVED JM	9/29/22	SIZE	CODE	DWG NO	REV
CHECKED JM	9/29/22	B		BX1218	1
DRAWN JE	9/29/22	SCALE 1:4		WEIGHT	SHEET 1/1