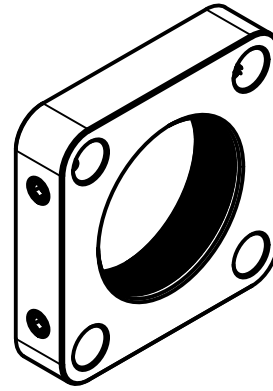
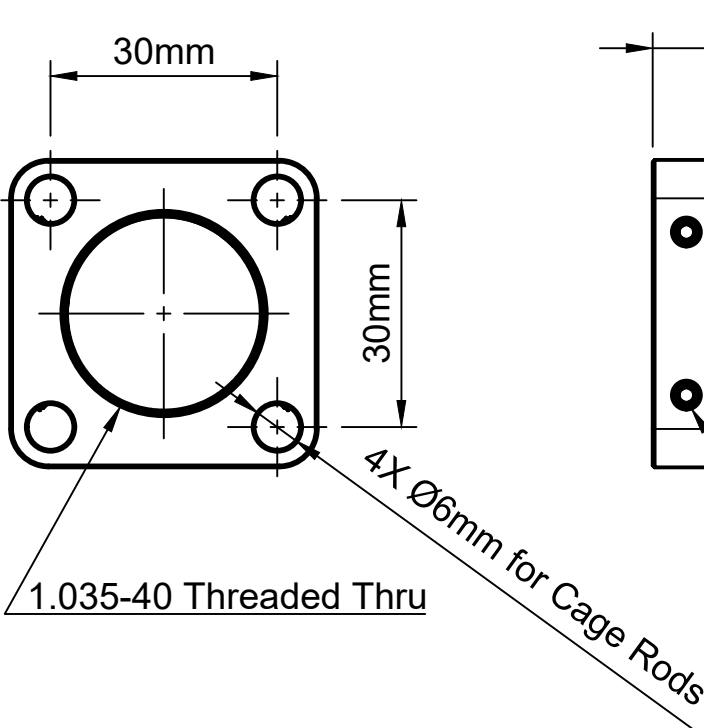
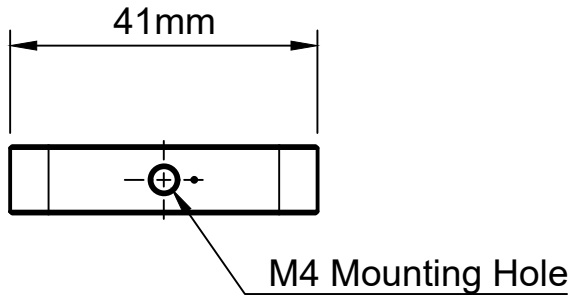


Features:

- 1.035-40 Threaded hole through center.
- M4 Locking set screws for all four cage rods (cage rods sold separately).
- Compatible with industry standard 30mm cage systems.
- M4 Mounting hole.



1.035-40 Retaining rings are sold separately



For information only, not for manufacturing. Subject to change without notice.
 © 2020 Base Lab Tools Inc, All Rights Reserved.

Dept.	Technical reference	Created by JM	5/22/2020	Approved by JM	5/22/2020
Base Lab Tools Inc 140 N 2nd St Stroudsburg, PA 18360 www.BaseLabTools.com Phone: 570-371-5710		Document type Support Drawing		Document status	
		Title CP1-M - 1.035-40 Threaded Cage Plate		DWG No. CP1-M	
		Rev. 4	Date of issue 5/22/2020	Sheet 1/1	