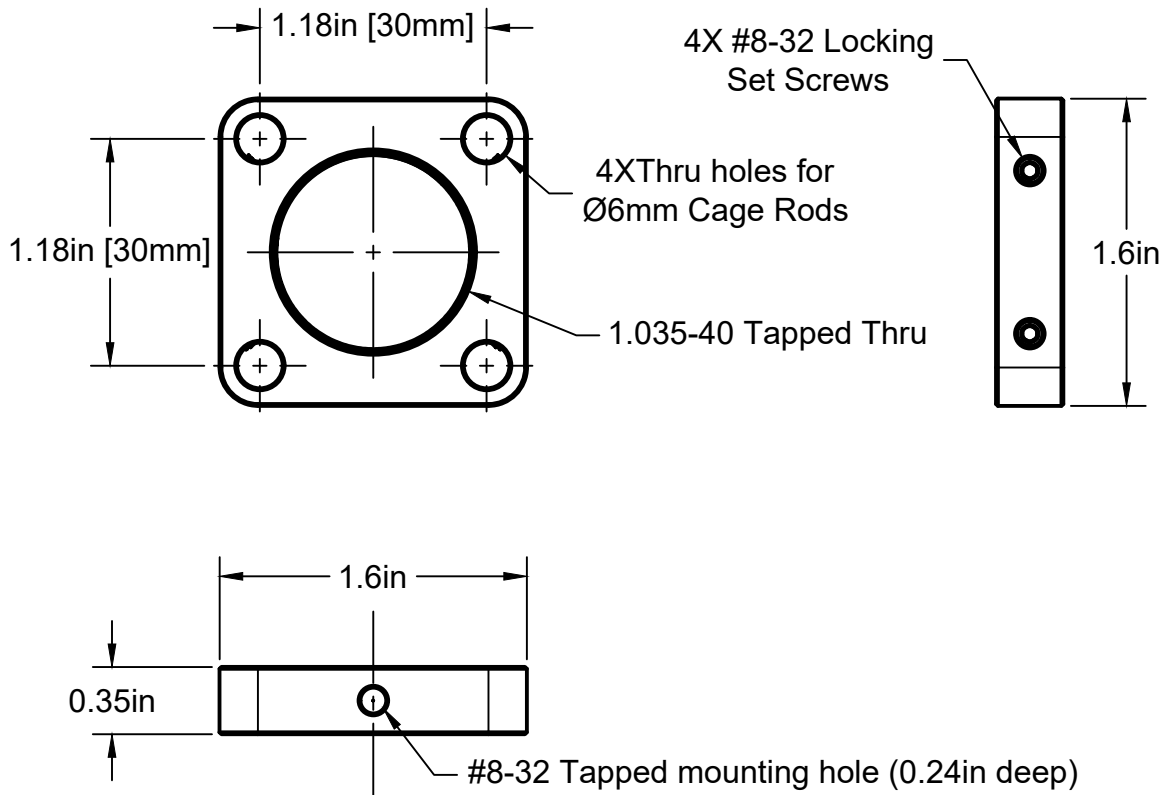
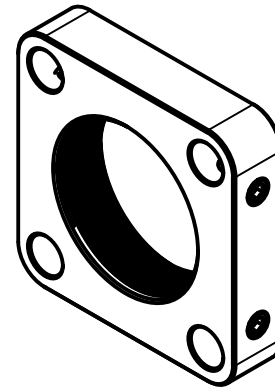


Features:

- 1.035-40 Thread through center.
- #8-32 Locking set screws for all four cage rods (cage rods sold separately).
- Compatible with industry standard 30mm cage systems.
- #8-32 Mounting hole.



For information only, not for manufacturing. Subject to change without notice.
 © 2020 Base Lab Tools Inc, All Rights Reserved.

Base Lab Tools Inc 140 N 2nd St, #6 Stroudsburg, PA 18360 www.BaseLabTools.com Phone: 570-371-5710		PROJECT			
		Support Drawing			
		TITLE			
		CP1 - 1.035-40 Threaded Cage Plate			
APPROVED JM	5/8/2020	SIZE	CODE	DWG NO	REV
CHECKED JM	5/8/2020	A		CP1	2
DRAWN JM	5/8/2020	SCALE 1:1		WEIGHT	SHEET 1/1