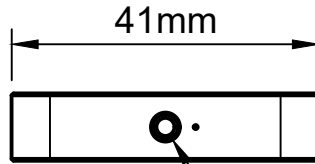
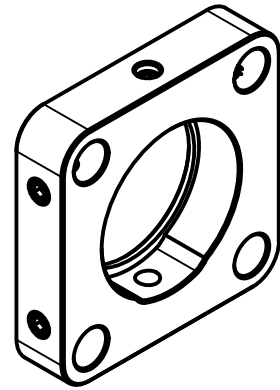
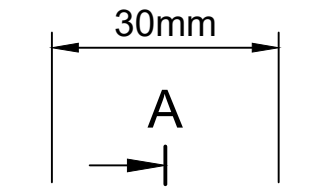


Features:

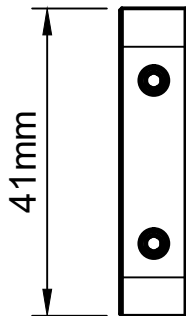
- Double bore for Ø25.4mm (Ø1in) optics.
- M4 Locking set screws for all four cage rods (cage rods sold separately).
- Compatible with industry standard 30mm cage systems.
- M4 Mounting hole.



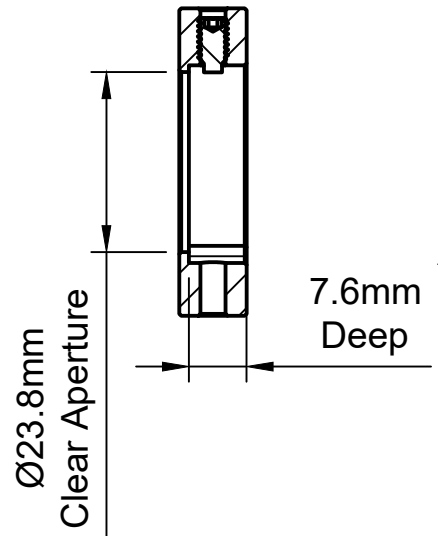
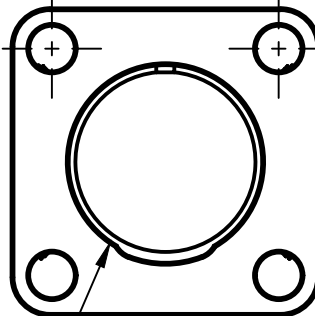
M4 Mounting Hole



A-A (1:1)



Double Bore Mounting Hole for Ø25.4mm (Ø1in) Optics



M4 Nylon Tipped Locking Screw



For information only, not for manufacturing. Subject to change without notice.
 © 2020 Base Lab Tools Inc, All Rights Reserved.

| | | | |
|-------------------------------------------------------------------------------------------------------------------|------------------------------------------------------------|----------------------------|-----------------------------|
| Dept. | Technical reference | Created by JM 5/22/2020 | Approved by JM 5/22/2020 |
| Base Lab Tools Inc 140 N 2nd St Stroudsburg, PA 18360 www.BaseLabTools.com Phone: 570-371-5710 | Document type Support Drawing | Document status | |
| | Title Double Bore 30mm Cage Plate for Ø1in Optics | DWG No. CP4-M | |
| | | Rev. 1 | Date of issue 5/22/2020 |