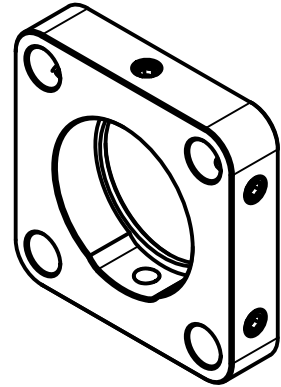
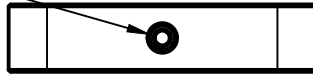


**Features:**

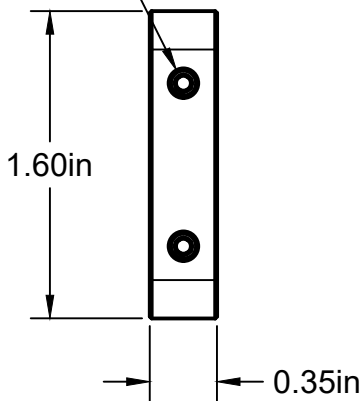
- Double bore center hole for stable mounting of Ø1in optics.
- #8-32 Locking set screws for all four cage rods (cage rods sold separately).
- Compatible with industry standard 30mm cage systems.
- #8-32 Mounting hole.
- #8-32 Nylon Tipped Set Screw



#8-32 Nylon Tipped Set Screw to Hold Optic

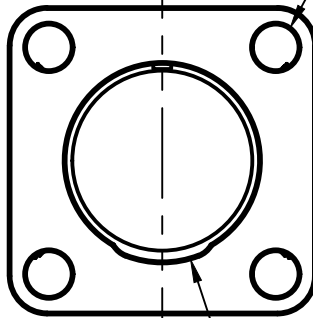


#8-32 Locking Screws To Lock-In Cage Rods

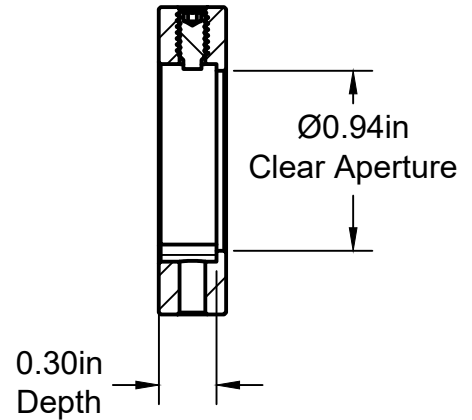


A

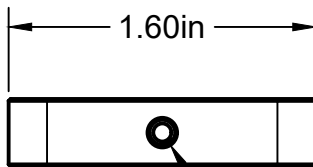
Ø6mm Thru Holes on 30mm Centers For Cage Rods



Double Bore Mounting for Ø1in Optics



**SECTION A-A  
SCALE 1:1**



#8-32 Mounting Hole

For information only, not for manufacturing. Subject to change without notice.  
© 2020 Base Lab Tools Inc, All Rights Reserved.

<b>Base Lab Tools Inc</b> 140 N 2nd St, #6 Stroudsburg, PA 18360 www.BaseLabTools.com Phone: 570-371-5710		PROJECT			
		<b>Support Drawing</b>			
		TITLE			
		<b>Double Bore 30mm Cage Plate for Mounting Ø1in. optics</b>			
APPROVED JM	5/21/2020	SIZE	CODE	DWG NO	REV
CHECKED JM	5/21/2020	A		CP4	1
DRAWN JM	5/21/2020	SCALE 1:1		WEIGHT	SHEET 1/1