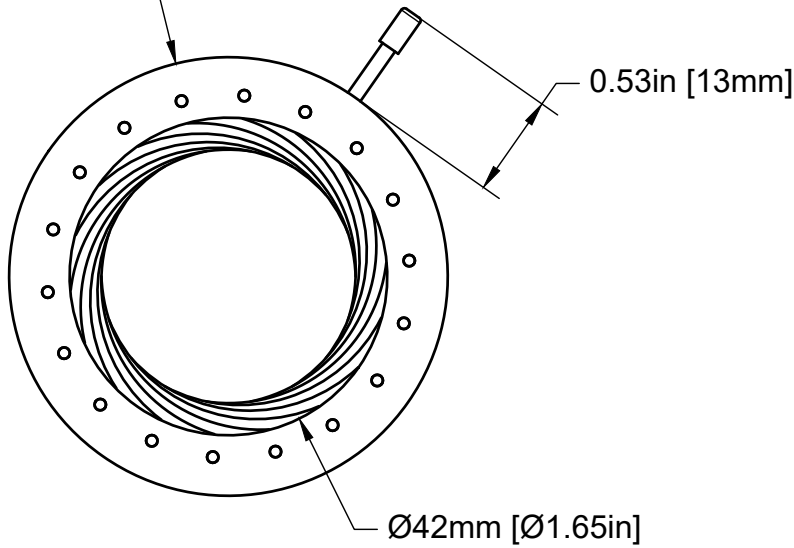


**Features**

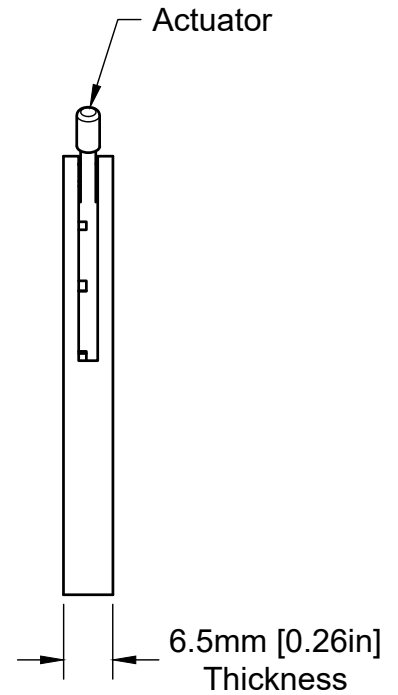
- Maximum Aperture: 42mm [1.65in]
- Minimum Aperture: 2.5mm [0.10in]
- Blade Quantity: 18

Ø58mm [Ø2.28in]



0.53in [13mm]

Ø42mm [Ø1.65in]



Actuator

6.5mm [0.26in]  
Thickness

For information only, not for manufacturing. Subject to change without notice. © 2021 Base Lab Tools Inc, All Rights Reserved.

<p><b>Base Lab Tools</b> 140 N 2nd St Stroudsburg, PA 18360 www.BaseLabTools.com Phone: 570-371-5710</p>		PROJECT			
		<p><b>Support Drawing</b></p>			
		TITLE			
		<p><b>D42</b> <b>42mm Iris Diaphragm</b></p>			
APPROVED JM	4/8/2021	SIZE	CODE	DWG NO	REV
CHECKED JM	4/8/2021	A		D42	2
DRAWN JPB	4/7/2021	SCALE 1:1		WEIGHT 19.1g (0.67oz)	SHEET 1/1