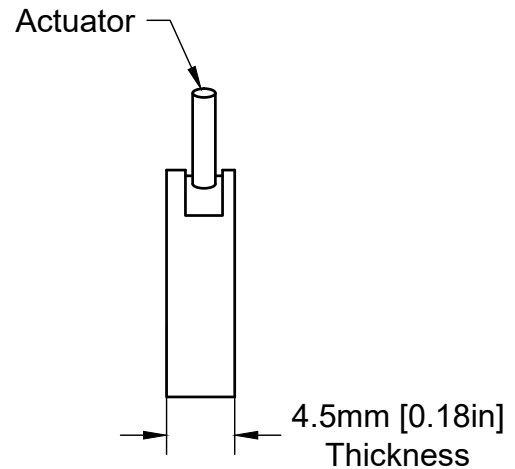
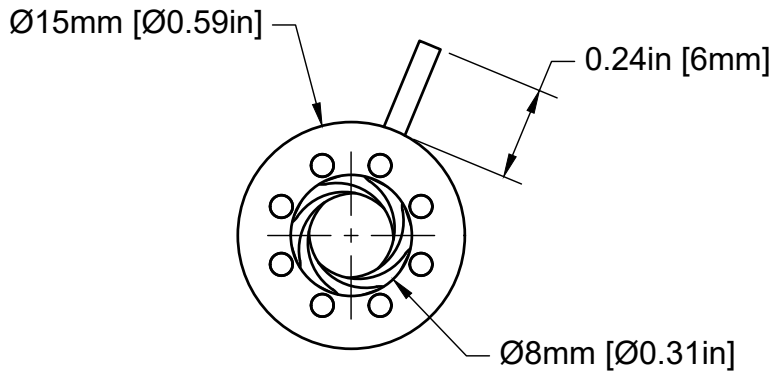


**Features**

- Maximum Aperture: 8mm [0.31in]
- Minimum Aperture: 0.8mm [0.03in]
- Blade Quantity: 8
- Removable Actuator



For information only, not for manufacturing. Subject to change without notice. © 2021 Base Lab Tools Inc, All Rights Reserved.

<p><b>Base Lab Tools</b> 140 N 2nd St Stroudsburg, PA 18360 www.BaseLabTools.com Phone: 570-371-5710</p>		PROJECT			
		<p><b>Support Drawing</b></p>			
		TITLE			
		<p><b>D8</b> <b>8mm Iris Diaphragm</b></p>			
APPROVED JM	4/1/2021	SIZE	CODE	DWG NO	REV
CHECKED JM	4/1/2021	A		D8	2
DRAWN JPB	4/1/2021	SCALE 2:1		WEIGHT 1.1g	SHEET 1/1