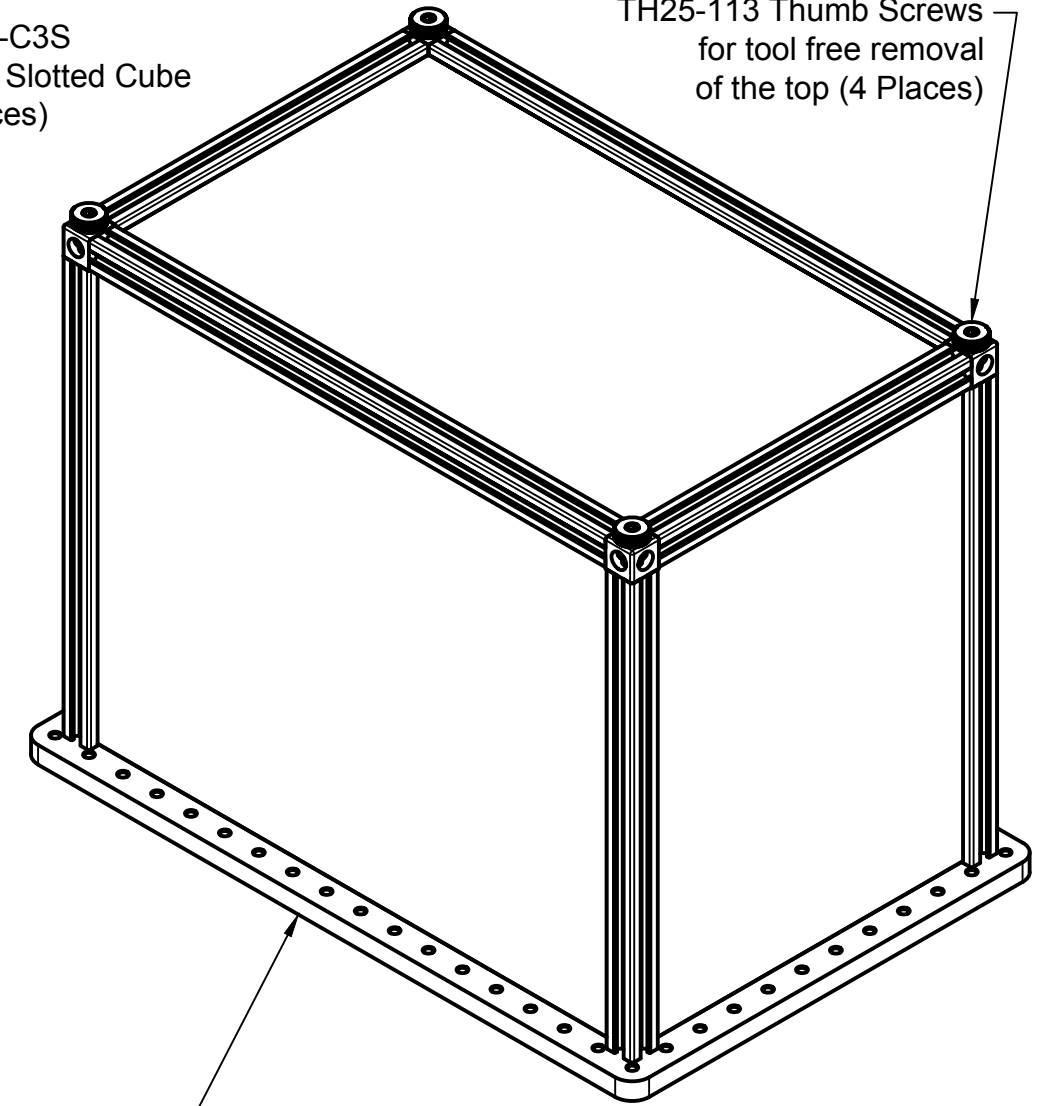


X2020-C3S
3-Way Slotted Cube
(4 Places)

TH25-113 Thumb Screws
for tool free removal
of the top (4 Places)



Features

- 3/16in plexiglass sides on all 4 sides and top to view inside the enclosure
- Thumb Screw assembly for easy access inside the enclosure.
- Designed for SAB1218 solid aluminum breadboard.
- Ideal for viewing inside the enclosure.
- Additional options include sliding doors, hinged top and tool holder mount.

The enclosure comes partially assembled and the breadboard (SAB1218) is sold separately.

Assembly steps are:

1. Orientate the breadboard so that the counterbore holes can be accessed from the bottom side of the breadboard.
2. Use the included cap head socket screws from either Hardware Pack A or Hardware Pack B depending on the breadboard thickness to attach the four X2020-12 vertical supports to the breadboard.
3. Insert the 4 plexiglass sides.
4. Align the preassembled EC1218-PX Top Assembly to the top of the plexiglass side panels, and use 4 TH25-113 thumb screws to secure the top in place.

Note - To access the breadboard, loosen the four thumb screws on the top and remove the top. Replace it when finished.

For information only, not for manufacturing subject to change without notice.
©2021 Base Lab Tools Inc, All Rights Reserved.

Base Lab Tools Inc 140 N 2nd St, #3 Stroudsburg, PA 18360 www.BaseLabTools.com Phone: 570-371-5710		PROJECT			
		Support Drawing			
		TITLE			
		EC1218-PX Enclosure Plexiglass Sides 12in x 18in			
APPROVED JM	date	SIZE	CODE	DWG NO	REV
CHECKED JM	date	B		EC1218-PX	2
DRAWN JPB	8/5/2021	SCALE 1:4	WEIGHT 9 lbs	SHEET 1/1	