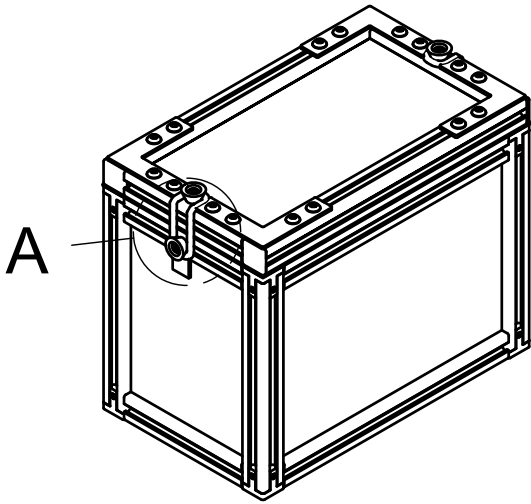
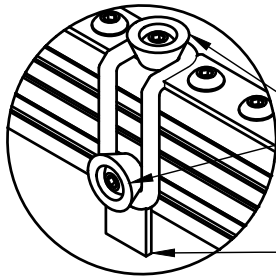


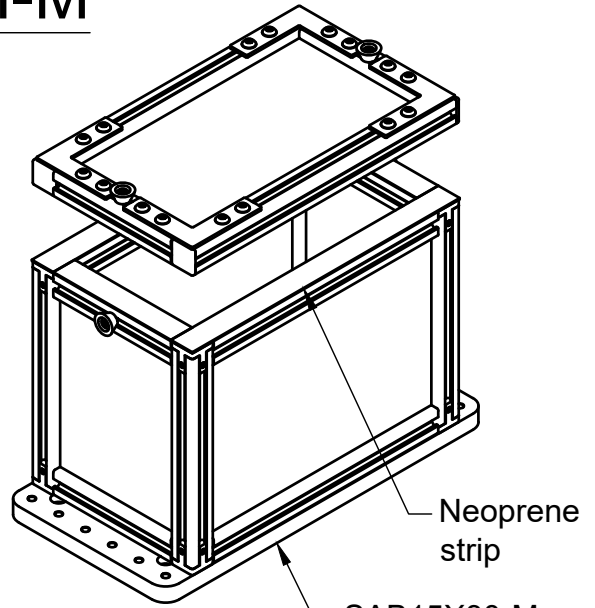
# ENC15X25H-M



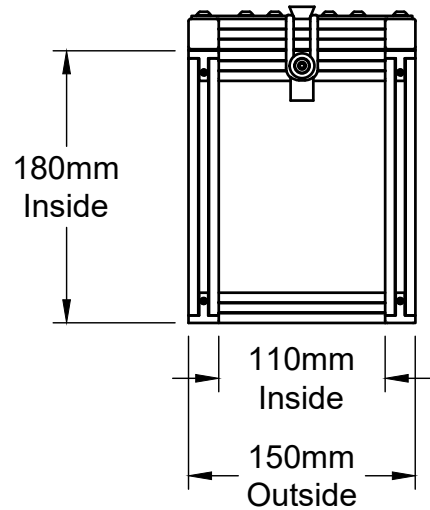
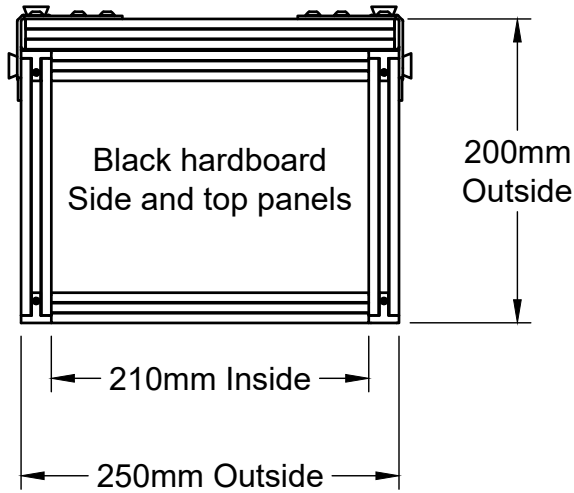
DETAIL A- Latching system for top panel  
SCALE 1:2



X2020-AK (2)- Attachment knob  
XSL01- Tabbed strap to secure top panel



Neoprene strip  
SAB15X30-M Not included



For information only, not for manufacturing. Subject to change without notice.  
© 2024 Base Lab Tools Inc, All Rights Reserved.

<b>Base Lab Tools Inc</b>  90 N 1st Street Stroudsburg, PA 18360 www.BaseLabTools.com Phone: 570-371-5710		PROJECT			
		<b>Support Drawing</b>			
		TITLE			
		<b>150mm x 250mm Enclosure Black Hardboard Walls</b>			
APPROVED JP	4/24/2024	SIZE	CODE	DWG NO	REV
CHECKED JP	4/24/2024	A		ENC15X25H-M	A
DRAWN LC	4/15/2024	SCALE 1:5		WEIGHT 2.4 kg	SHEET 1/1