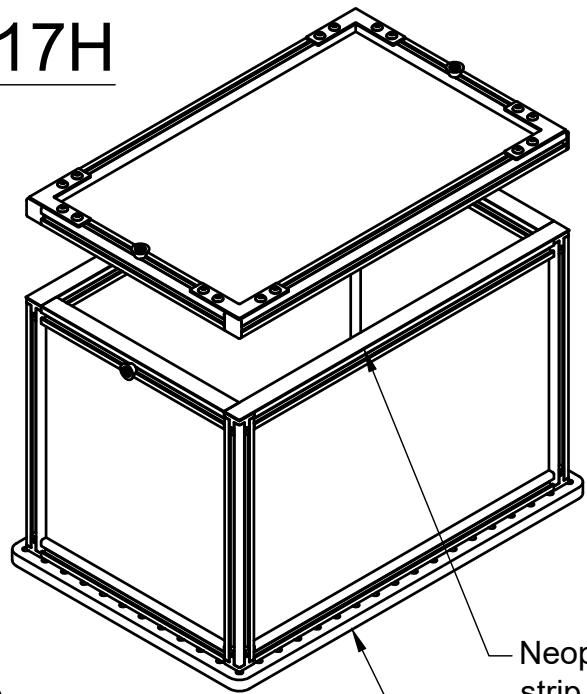
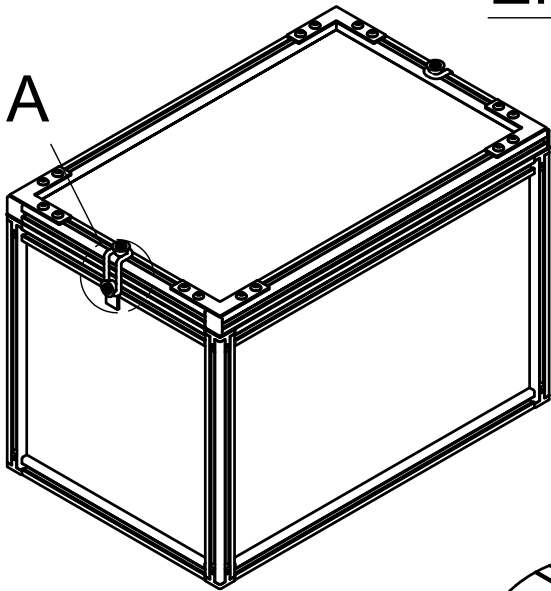
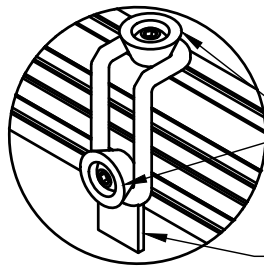


ENC117H



DETAIL A- Latching system for top panel
SCALE 1:2

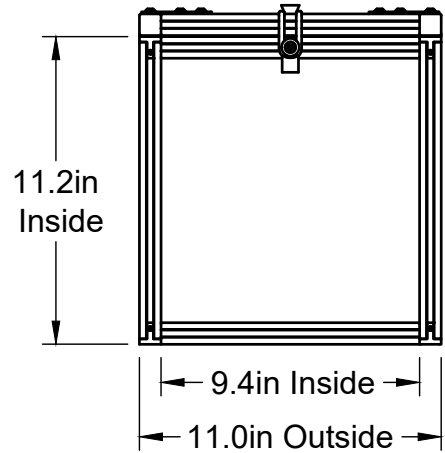
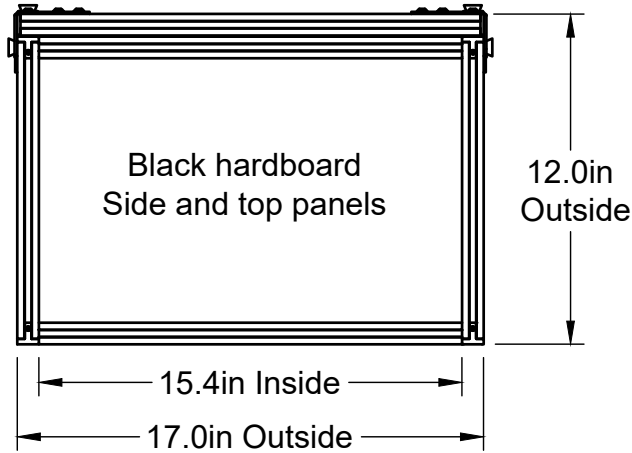


X2020-AK (2)- Attachment knob

XSL01- Tabbed strap to secure top panel

Neoprene strip

SAB1218 not included



For information only, not for manufacturing. Subject to change without notice.
© 2024 Base Lab Tools Inc, All Rights Reserved.

Base Lab Tools Inc 90 N 1st Street Stroudsburg, PA 18360 www.BaseLabTools.com Phone: 570-371-5710		PROJECT			
		Support Drawing			
		TITLE			
		11in x 17in Enclosure Black Hardboard Walls			
APPROVED JP	4/24/2024	SIZE	CODE	DWG NO	REV
CHECKED JP	4/24/2024	A		ENC117H	A
DRAWN LC	3/28/2024	SCALE 1:7		WEIGHT 10.5 lbs	SHEET 1/1