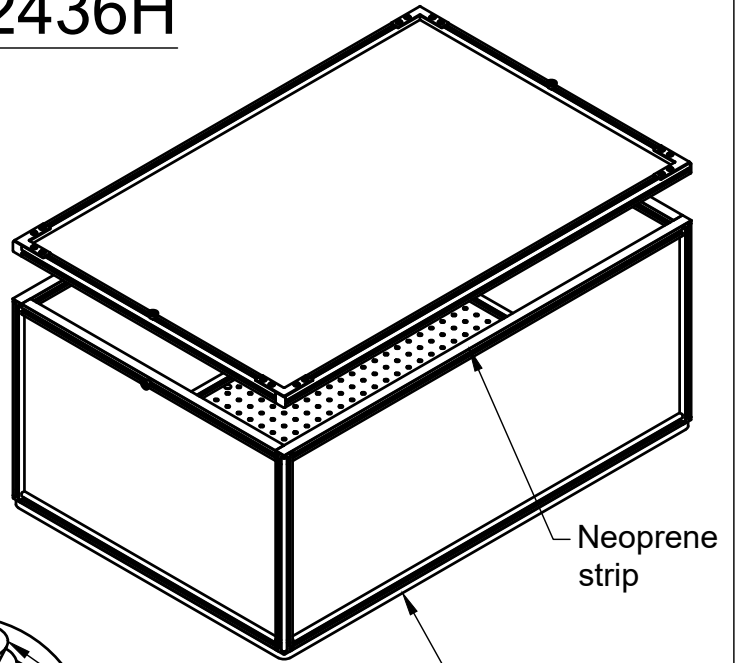
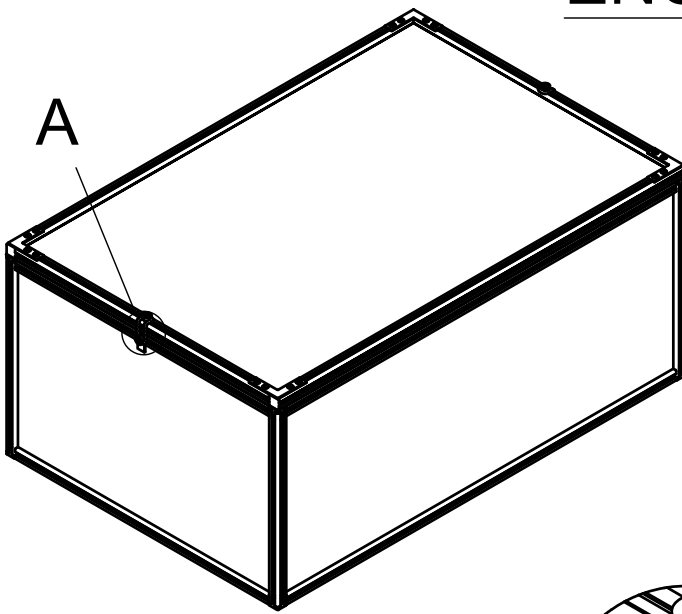
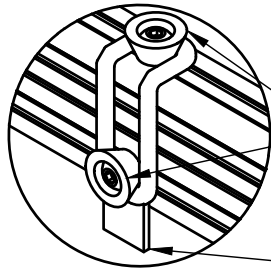


ENC2436H



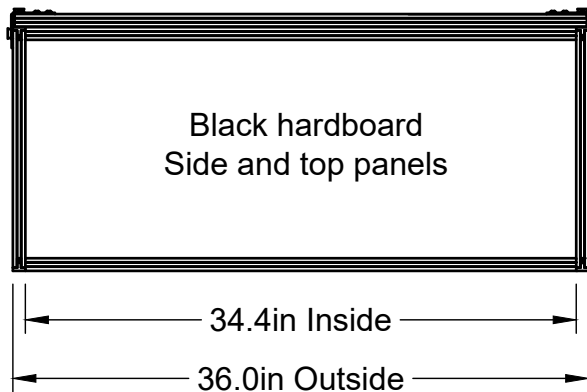
DETAIL A- Latching system for top panel
SCALE 1:2



X2020-AK (2)-
Attachment knob

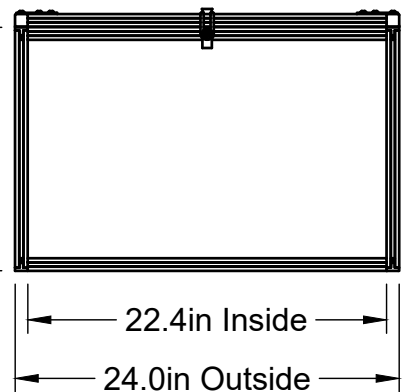
SAB2436
Not included

XSL01-Tabbed strap
to secure top panel



16.0in
Outside

15.2in
Inside



For information only, not for manufacturing. Subject to change without notice.
© 2024 Base Lab Tools Inc, All Rights Reserved.

Base Lab Tools Inc

90 N 1st Street
Stroudsburg, PA 18360
www.BaseLabTools.com
Phone: 570-371-5710

PROJECT

Support Drawing

TITLE

**24in x 36in Enclosure
Black Hardboard Walls**

APPROVED JP	5/6/2025	SIZE	CODE	DWG NO	REV
CHECKED JP	5/6/2025	A		ENC2436H	A
DRAWN LC	4/10/2024	SCALE 1:12		WEIGHT 26.9 lbs	SHEET 1/1