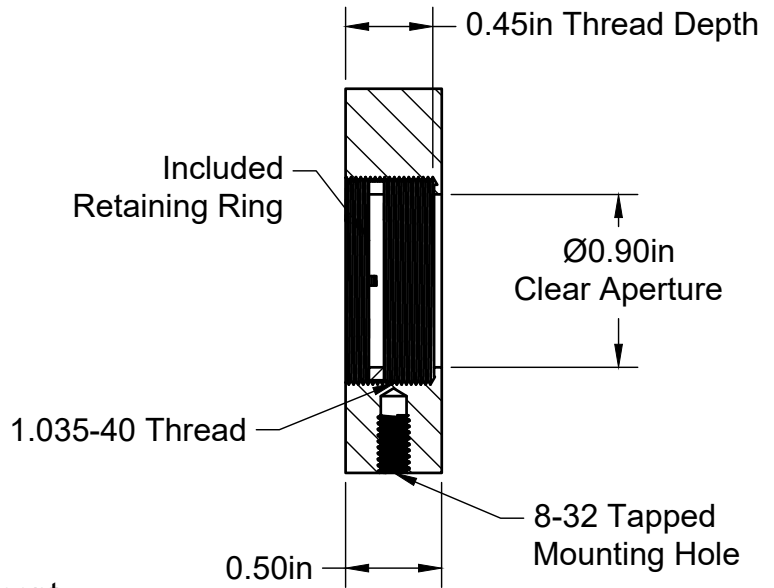
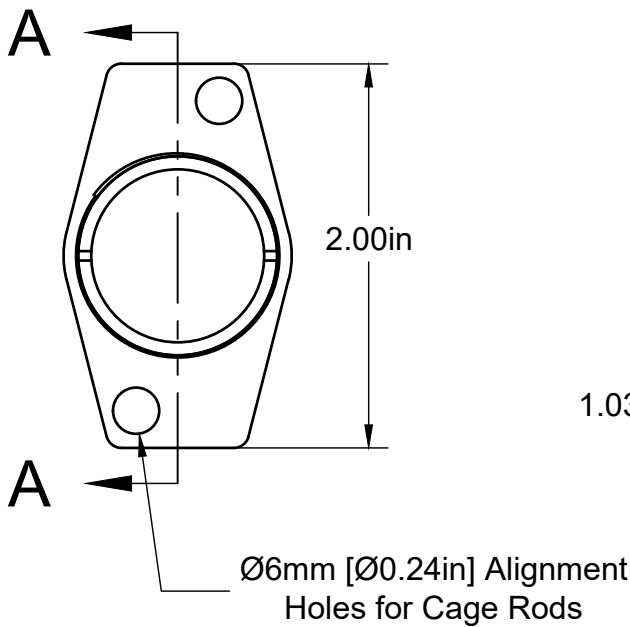


Features:

- Includes One RR10 Retaining Ring
- Ideal For Ø1in Optics
- Ø1in Lens Tubes can be Used for Premounted Optics
- Industry Standard 1.035-40 Threads
- Pair of Alignment Holes for Standard Cage Construction Rods



**SECTION A-A
SCALE 1:1**

For information only, not for manufacturing. Subject to change without notice.
© 2021 Base Lab Tools Inc, All Rights Reserved.

<p>Base Lab Tools Inc 140 N 2nd St Stroudsburg, PA 18360 www.BaseLabTools.com Phone: 570-371-5710</p>		PROJECT			
		<p>Support Drawing</p>			
		TITLE			
		<p>FOM010 - Fixed Optic Mount 1.0in Internal Thread</p>			
APPROVED JM	4/13/2021	SIZE	CODE	DWG NO	REV
CHECKED JM	4/13/2021	A		FOM010	2
DRAWN JPB	4/13/2021	SCALE 1:1		WEIGHT 0.77oz	SHEET 1/1