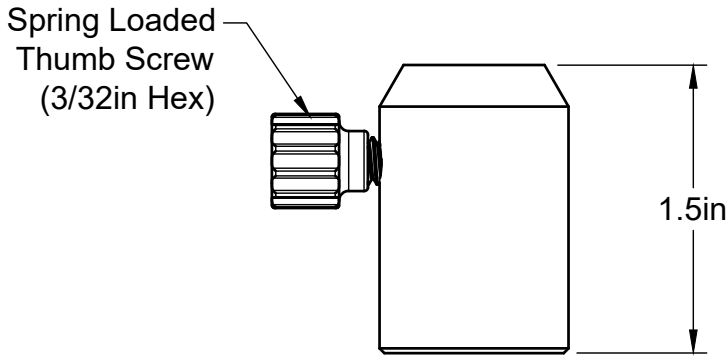
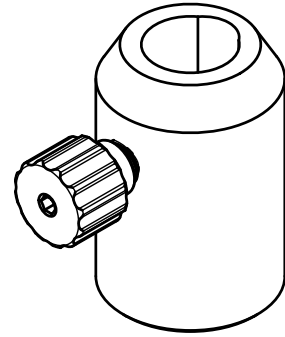
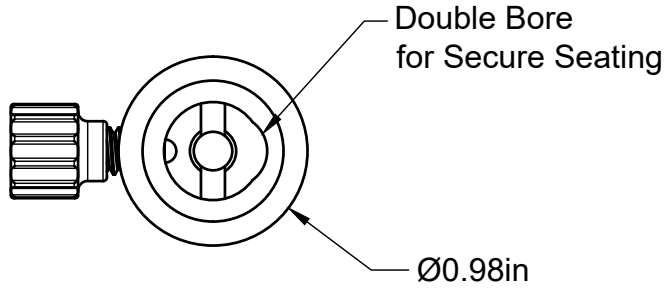
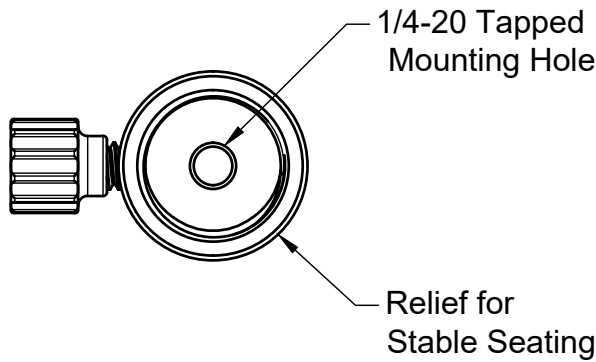


# PH1.5



- Most cost effective post holder
- Spring loaded thumb screw allows for adjustability before tightening
- Optionally available with non-spring loaded thumbscrew
- 1/4-20 bottom hole for easy mounting



For information only, not for manufacturing. Subject to change without notice.  
© 2024 Base Lab Tools Inc, All Rights Reserved.

<b>Base Lab Tools Inc</b> 90 N 1st Street Stroudsburg, PA 18360 www.BaseLabTools.com Phone: 570-371-5710		PROJECT			
		<b>Support Drawing</b>			
		TITLE			
		<b>Post Holder for 0.5in Post x 1.5in</b>			
APPROVED JP	4/28/2024	SIZE	CODE	DWG NO	REV
CHECKED JP	4/28/2024	A		PH1.5	A
DRAWN MN	4/28/2024	SCALE 1:1		WEIGHT 1.43 oz	SHEET 1/1