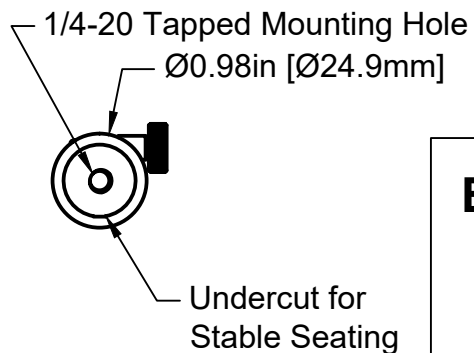


- More Stable Due to Single Body Construction
- Flexure Grip for Much Stronger Hold Than Single Screw Style Post Holders



For information only. Not for manufacturing
Item/Drawing is subject to change without notification
© 2018 Base Lab Tools Inc, All Rights Reserved

Base Lab Tools Inc 140 N 2nd St, #3 Stroudsburg, PA 18360 www.BaseLabTools.com Phone: 570-371-5710		PROJECT		
		Support Drawing		
APPROVED JM 3/6/2018 CHECKED JM 3/6/2018 DRAWN BP 3/6/2018		TITLE		
		PSH160 0.98" X 6.0" Aluminum Post Holder		
		SIZE	CODE	DWG NO
		A	PSH160	1
		SCALE 1:2	WEIGHT 5.2 oz	SHEET 1/1

