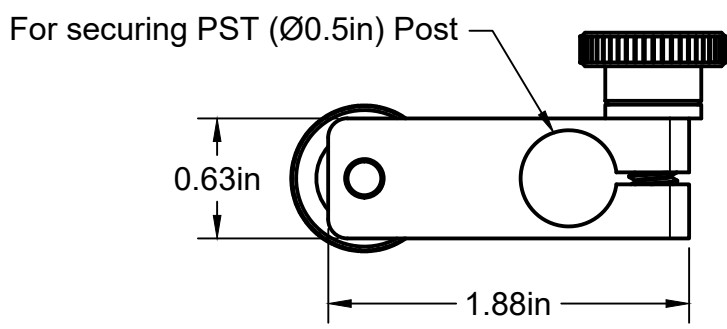
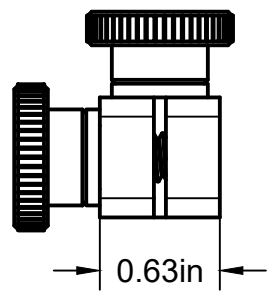


Right angle post clamp to join PST (Ø0.5in) posts at 90°



For information only, not for manufacturing. Subject to change without notice.
 © 2018 Base Lab Tools Inc, All Rights Reserved.

Base Lab Tools Inc 140 N 2nd St, #3 Stroudsburg, PA 18360 www.BaseLabTools.com Phone: 570-371-5710		PROJECT			
		Support Drawing			
		TITLE			
		PST900 - Ø0.5in Post Right Angle Clamp			
APPROVED JM	1/15/2018	SIZE	CODE	DWG NO	REV
CHECKED JM	1/15/2018	A		PST900	3
DRAWN RD	1/15/2018	SCALE 1:1		WEIGHT 1.3 oz	SHEET 1/1