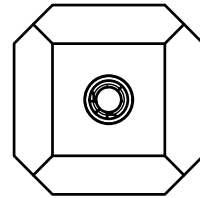
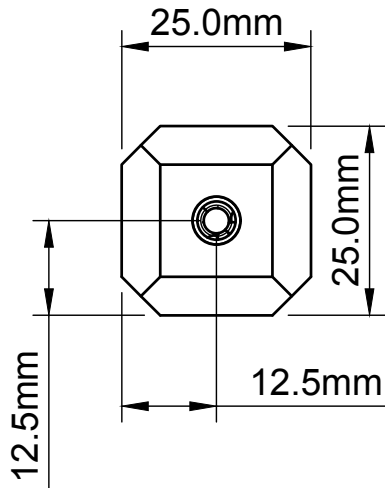
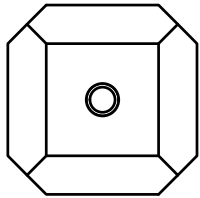
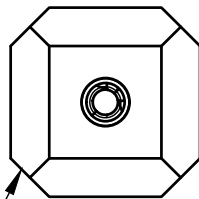


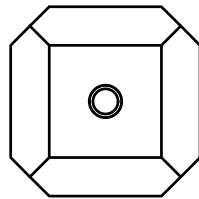
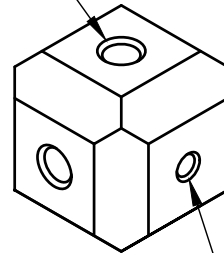
Cube used for attaching  
 $\varnothing$  12.7mm posts together  
 at angles or junctions



3X M6 screw holes for  
 $\varnothing$  12.7mm post attachment



All chamfers at  
 $45^\circ$  from faces



3X M4 screw holes for  
 $\varnothing$  12.7mm post attachment

For information only, not for manufacturing. Subject to change without notice.  
 © 2021 Base Lab Tools Inc, All Rights Reserved.

Dept.	Technical reference m = 39.5g	Created by JE	12/14/21	Approved by JM	01/10/22
Base Lab Tools Inc 140 N 2nd St Stroudsburg, PA 18360 www.BaseLabTools.com Phone: 570-371-5710		Document type Support Drawing		Document status Checkey By PM 01/05/22	
		Title PST920-M Metric PST Series Joiner Cube		DWG No. PST920-M	
		Rev.	Date of issue	Sheet	
		4	12/14/21	1/1	