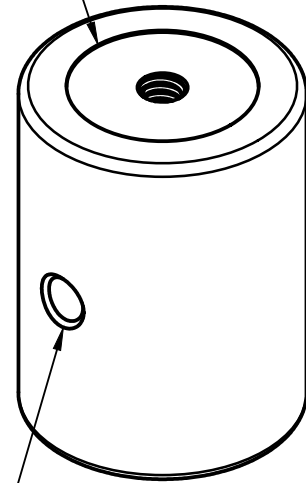
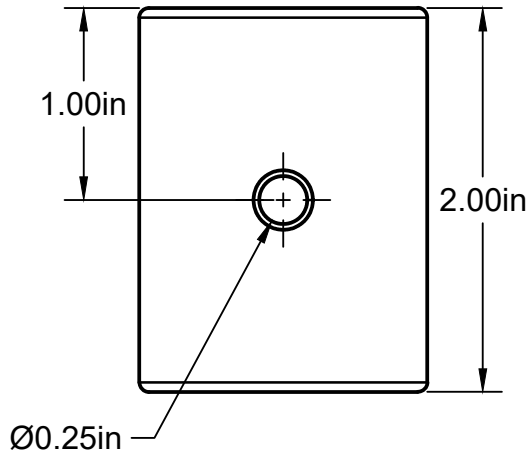
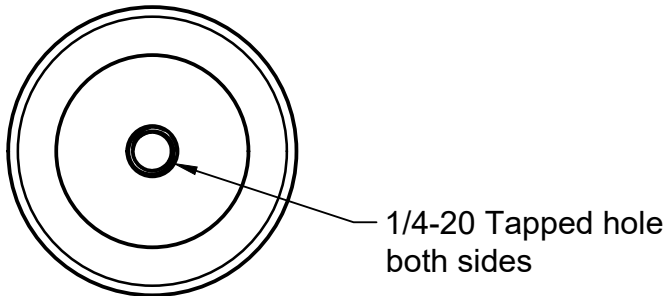


Undercut to provide seating for mating part



Thru hole to use allen key or ball driver for leverage

Stainless steel mounting post



For information only, not for manufacturing. Subject to change without notice.  
 © 2018 Base Lab Tools Inc, All Rights Reserved.

<b>Base Lab Tools Inc</b> 140 N 2nd St, #3 Stroudsburg, PA 18360 www.BaseLabTools.com Phone: 570-371-5710		PROJECT			
		<b>Support Drawings</b>			
		TITLE			
		<b>PTB020 - 1.5" Diameter Solid Stainless Steel Post</b>			
APPROVED JM	12/22/2017	SIZE	CODE	DWG NO	REV
CHECKED JM	12/22/2017	A		PTB020	4
DRAWN RD	12/22/2017	SCALE 1:1		WEIGHT 1 lb	SHEET 1/1