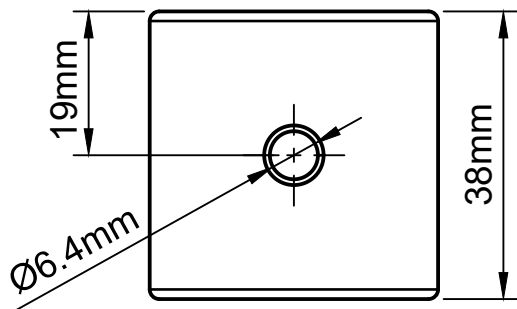
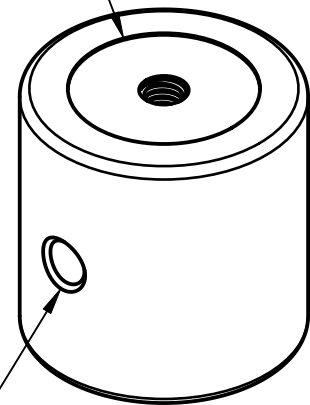


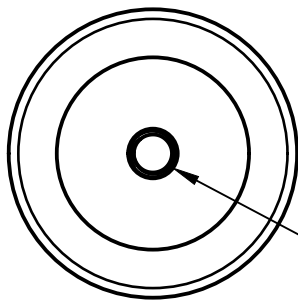
Undercut to provide seating for mating part



Thru hole to use allen key or ball driver for leverage



Stainless steel mounting post



M6 Tapped hole both sides

For information only, not for manufacturing. Subject to change without notice.
 © 2018 Base Lab Tools Inc, All Rights Reserved.

Dept.	Technical reference m = 328g	Created by RD	12/24/2017	Approved by JM	12/25/2017
Base Lab Tools Inc 140 N 2nd St, #3 Stroudsburg, PA 18360 www.BaseLabTools.com Phone: 570-371-5710		Document type Support Drawing		Document status	
		Title PTB038-M - 38.1mm Diameter Solid Stainless Steel Post		DWG No. PTB038-M	
		Rev. 7	Date of issue 12/25/2017	Sheet 1/1	