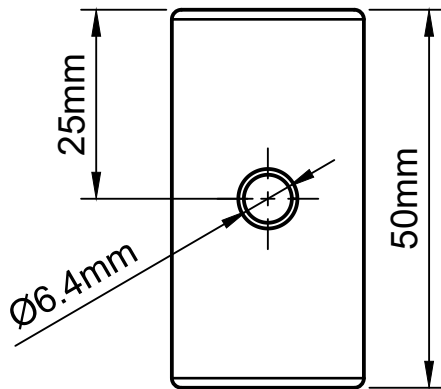
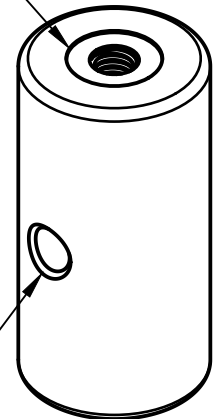


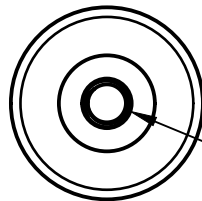
Undercut to provide seating for mating part



Thru hole to use allen key or ball driver for leverage



Stainless steel extension post



M6 Tapped hole both sides

For information only, not for manufacturing. Subject to change without notice.  
 © 2017 Base Lab Tools Inc, All Rights Reserved.

Dept.	Technical reference m = 188g	Created by RD	12/26/2017	Approved by JM	12/26/2017
<b>Base Lab Tools Inc</b> 140 N 2nd St, #3 Stroudsburg, PA 18360 www.BaseLabTools.com Phone: 570-371-5710		Document type Support Drawing		Document status	
		Title PTX050-M - 25.4mm Diameter Solid Stainless Steel Extension Post		DWG No. <b>PTX050-M</b>	
		Rev.	Date of issue	Sheet	
		4	12/26/2017	1/1	