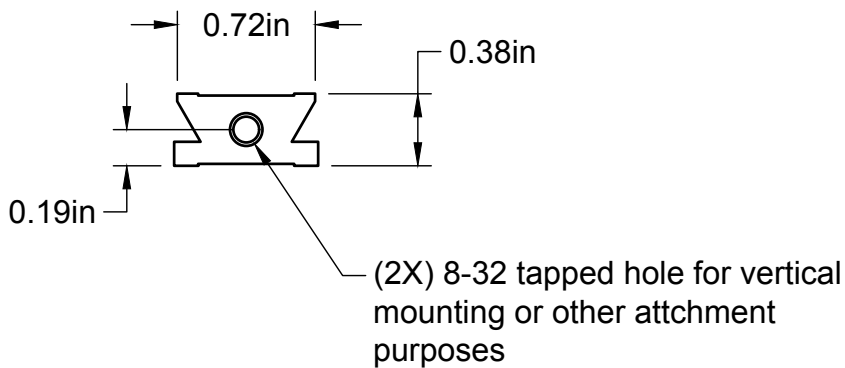


Application Example
(Rail carrier RL19-C1 not included)



For information only, not for manufacturing. Subject to change without notice.
© 2022 Base Lab Tools Inc, All Rights Reserved.

Base Lab Tools Inc 90 N 1st St Stroudsburg, PA 18360 www.BaseLabTools.com Phone: 570-371-5710		PROJECT			
		Support Drawing			
		TITLE			
		RL19-015 Aluminum Dovetail Rail - 1.5in			
APPROVED JM	6/13/22	SIZE	CODE	DWG NO	REV
CHECKED JM	6/13/22	A		RL19-015	2
DRAWN JE	6/13/22	SCALE 1:1		WEIGHT	SHEET 1/1