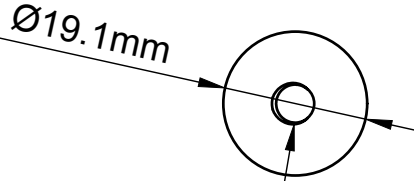
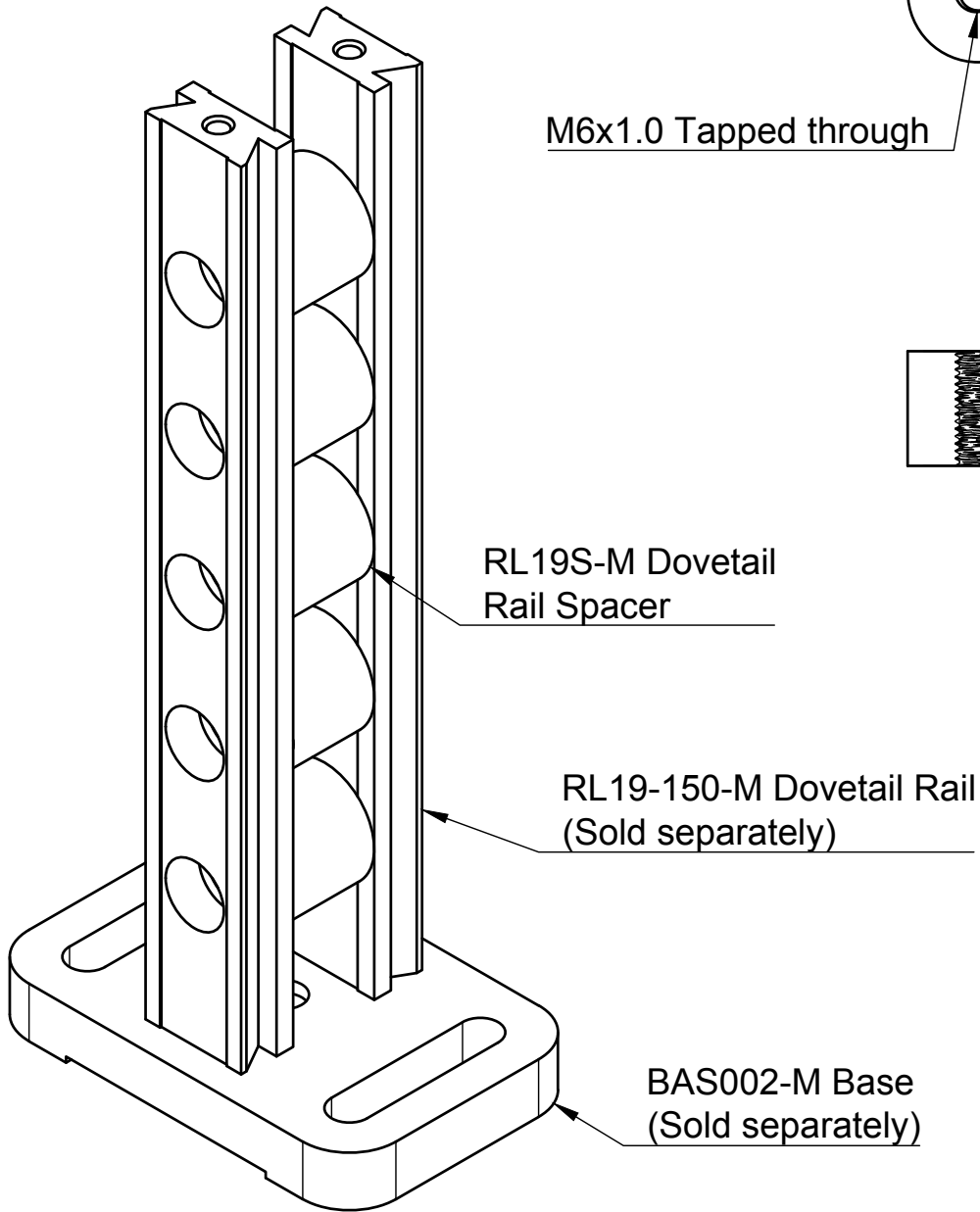
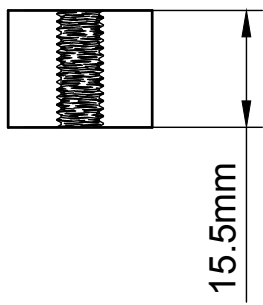


Application example



M6x1.0 Tapped through



RL19S-M Dovetail Rail Spacer

RL19-150-M Dovetail Rail (Sold separately)

BAS002-M Base (Sold separately)

For information only, not for manufacturing. Subject to change without notice.
 © 2022 Base Lab Tools Inc, All Rights Reserved.

Dept.	Technical reference	Created by JE	9/26/22	Approved by JM	9/26/22
Base Lab Tools Inc 90N 1st St Stroudsburg, PA 18360 www.BaseLabTools.com Phone: 570-371-571		Document type Support Drawing		Document status	
		Title RL19S-M Dovetail Rail Spacer		DWG No. RL19S-M	
		Rev. 1	Date of issue 9/26/22	Sheet 1/1	