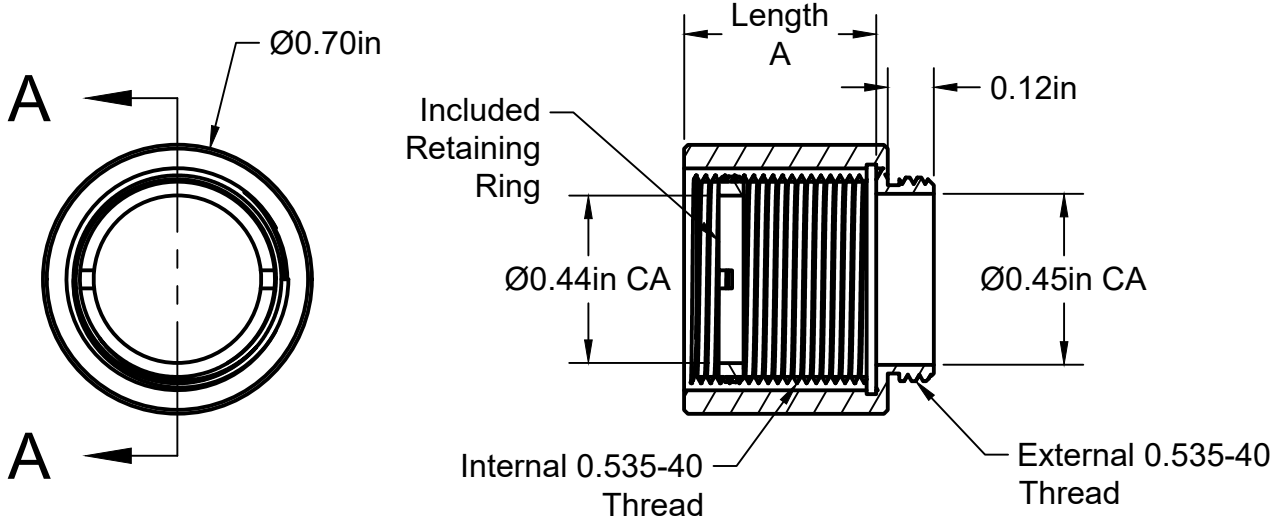
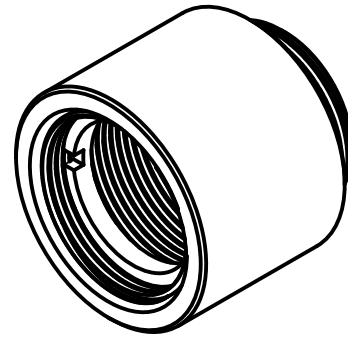


1/2in Lens Tubes Sizes

Item	Length A
T05-03	0.3in
T05-05	0.5in
T05-10	1.0in



**SECTION A-A
SCALE 2:1**

Features:

- Includes One Retaining Ring
- Ideal For 0.5in Optics
- Industry Standard 0.535-40 Threads
(Compatible with your existing lens tubes)

For information only, not for manufacturing. Subject to change without notice.
© 2021 Base Lab Tools Inc, All Rights Reserved.

<p>Base Lab Tools Inc 140 N 2nd St, Stroudsburg, PA 18360 www.BaseLabTools.com Phone: 570-371-5710</p>		PROJECT			
		<p>Support Drawing</p>			
		TITLE			
		<p>1/2in Lens Tubes 0.3in, 1/2in & 1in Internal Thread</p>			
APPROVED JM	2/3/2021	SIZE	CODE	DWG NO	REV
CHECKED JM	2/3/2021	A		T05-XX	2
DRAWN JM	2/3/2021	SCALE 2:1		WEIGHT See Table	SHEET 1/1