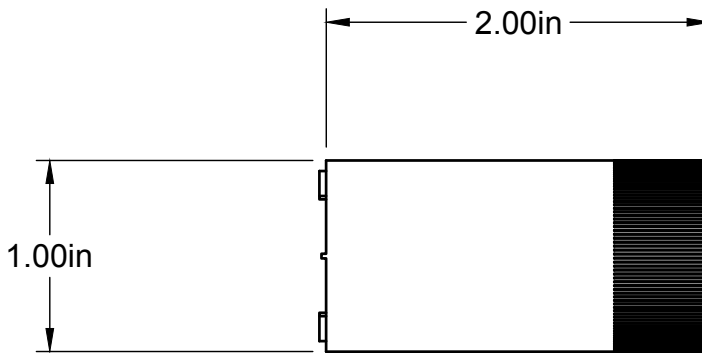
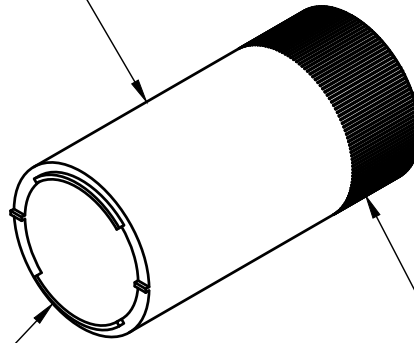


Spanner wrench body sized to fit inside shaft of 1" lens tube

Hollow lightweight aluminum design

Knurled handle for added grip



Spanner wrench for use with RR10 1" retaining ring (sold separately)

For information only, not for manufacturing. Subject to change without notice.
 © 2021 Base Lab Tools Inc, All Rights Reserved.

Base Lab Tools Inc 90 N 1st St, Stroudsburg, PA 18360 www.BaseLabTools.com Phone: 570-371-5710		PROJECT			Support Drawing
		TITLE			
		T10W 1" Lens Tube Spanner Wrench			
APPROVED JM	9/26/22	SIZE	CODE	DWG NO	REV
CHECKED JM	9/26/22	A		T10W	1
DRAWN JE	9/26/22	SCALE 1:1		WEIGHT	SHEET 1/1