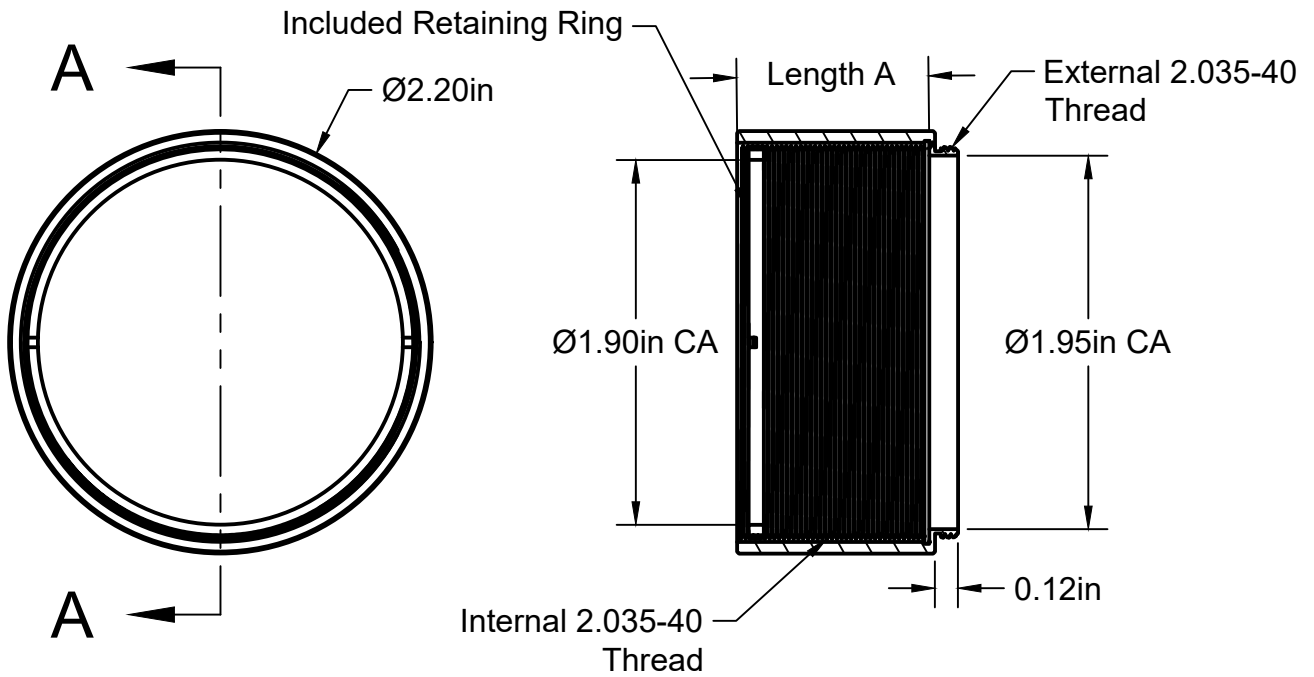
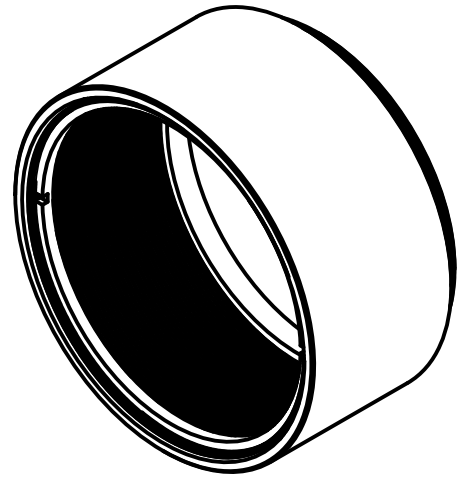


### 2in Lens Tubes Sizes

Item	Length A
T20-03	0.3in
T20-05	0.5in
T20-10	1.0in
T20-20	2.0in



**Features:**

- Includes One Retaining Ring
- Ideal For 2in & 50mm Optics
- Industry Standard 2.035-40 Threads  
(Compatible with your existing lens tubes)

## SECTION A-A SCALE 1:1

For information only, not for manufacturing. Subject to change without notice.  
© 2021 Base Lab Tools Inc, All Rights Reserved.

<b>Base Lab Tools Inc</b> 140 N 2nd St, Stroudsburg, PA 18360 www.BaseLabTools.com Phone: 570-371-5710		PROJECT			
		<b>Support Drawing</b>			
APPROVED JM      2/3/2021 CHECKED JM      2/3/2021 DRAWN JM      2/3/2021		TITLE			
		<b>2in Lens Tubes with 0.3in, 1/2in 1in &amp; 2in Internal Threading</b>			
		SIZE	CODE	DWG NO	REV
		A		T20-XX	2
		SCALE 1:1	WEIGHT Various	SHEET 1/1	