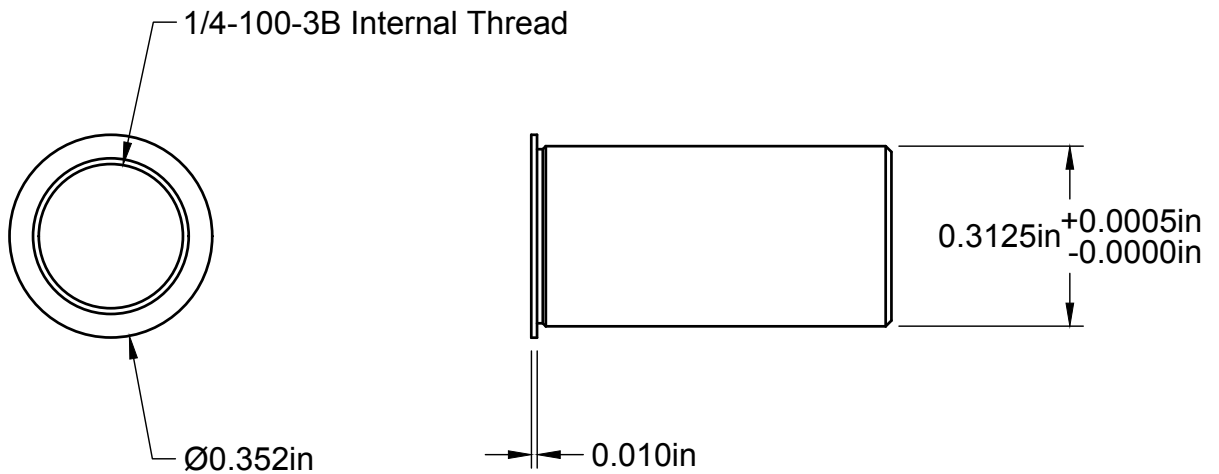
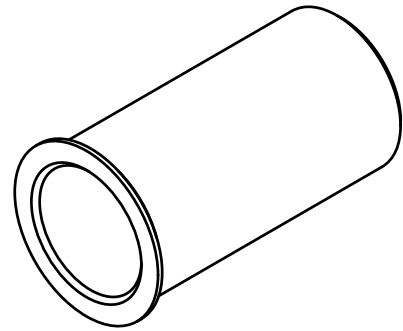


Item	Length (in)
TSB250-100-0313	0.313
TSB250-100-0438	0.438
TSB250-100-0625	0.625
TSB250-100-0750	0.750



For information only, not for manufacturing. Subject to change without notice.  
 © 2022 Base Lab Tools Inc, All Rights Reserved.

<b>Base Lab Tools Inc</b> 90 N 1st St Stroudsburg, PA 18360 www.BaseLabTools.com Phone: 570-371-5710		PROJECT			
		<b>Support Drawing</b>			
		TITLE			
		<b>TSB250-100-XXXX</b> <b>1/4-100 Fine Adjustment Bushing</b>			
APPROVED JM	10/4/22	SIZE	CODE	DWG NO	REV
CHECKED JM	10/4/22	A		TSB250-100-XXXX	1
DRAWN JE	10/4/22	SCALE 3:1		WEIGHT	SHEET 1/1