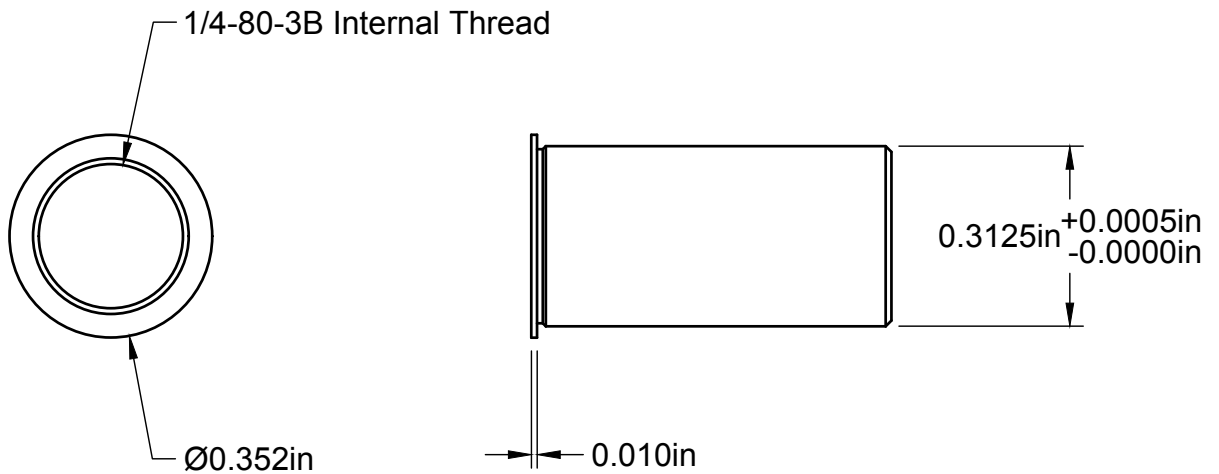
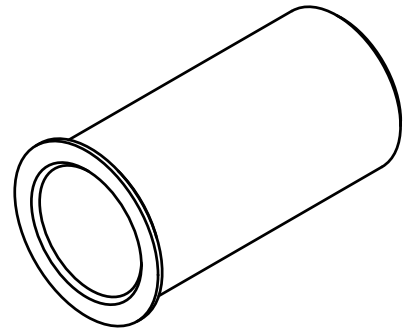


Item	Length (in)
TSB250-80-0313	0.313
TSB250-80-0438	0.438
TSB250-80-0625	0.625
TSB250-80-0750	0.750



For information only, not for manufacturing. Subject to change without notice.
 © 2022 Base Lab Tools Inc, All Rights Reserved.

Base Lab Tools Inc 90 N 1st St Stroudsburg, PA 18360 www.BaseLabTools.com Phone: 570-371-5710		PROJECT			
		Support Drawing			
		TITLE			
		TSB250-80-XXXX 1/4-80 Fine Adjustment Bushing			
APPROVED JM	10/4/22	SIZE	CODE	DWG NO	REV
CHECKED JM	10/4/22	A		TSB250-80-XXXX	1
DRAWN JE	10/4/22	SCALE 3:1		WEIGHT	SHEET 1/1