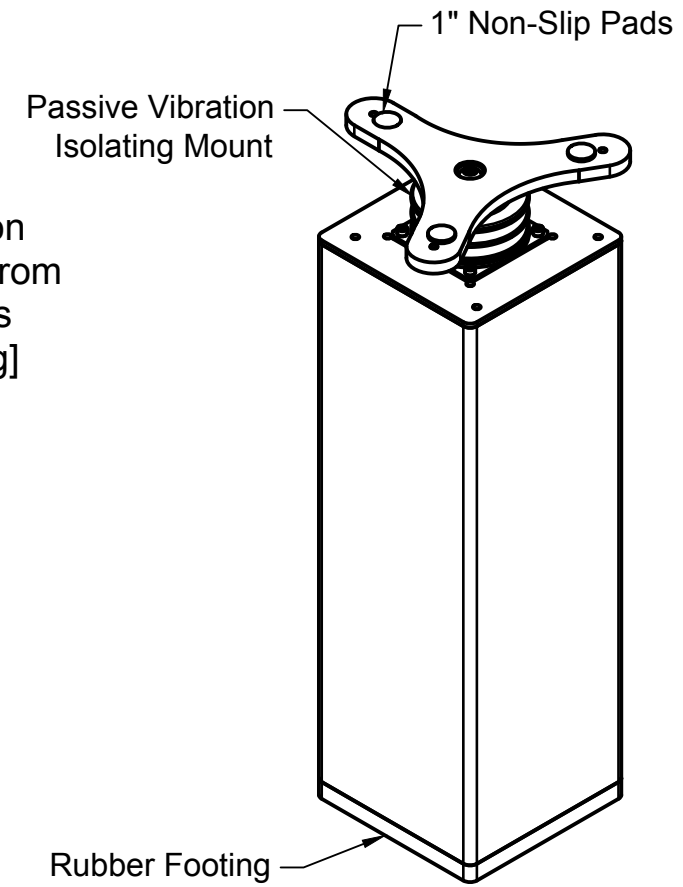
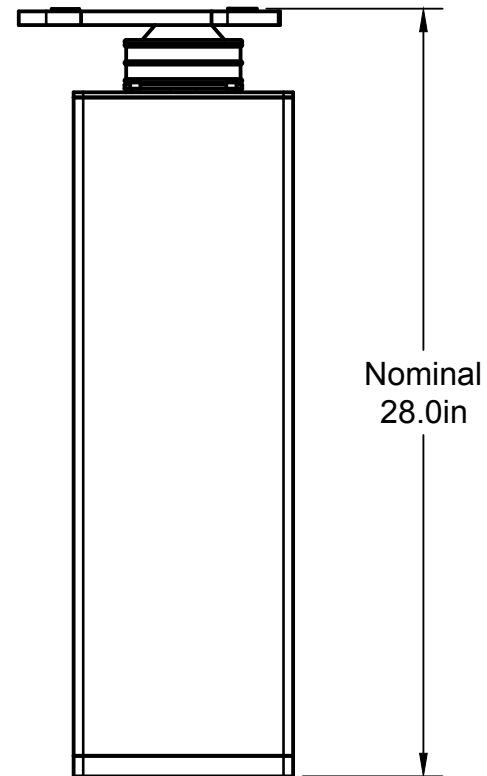


Passive Vibration
Mount Supports From
75 lbs to 300lbs
[34 kg to 136 kg]



For information only, not for manufacturing subject to change without notice.
© 2018 Base Lab Tools Inc, All Rights Reserved.

Base Lab Tools Inc 140 N 2nd St, #3 Stroudsburg, PA 18360 www.BaseLabTools.com Phone: 570-371-5710		PROJECT			
		Support Drawings			
		TITLE			
		TLS-P3-28 Table Leg Supports			
APPROVED JM	6/8/2018	SIZE	CODE	DWG NO	REV
CHECKED JM	6/8/2018	B		TLS-P3-28	2
DRAWN BP	6/8/2018	SCALE 1:7		WEIGHT 43.7 lbs	SHEET 1/1