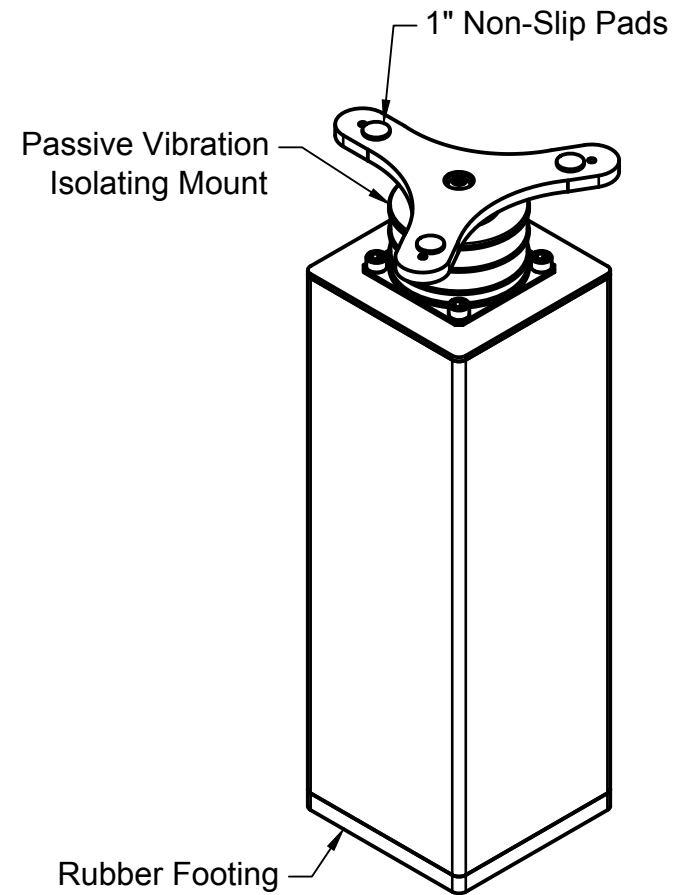
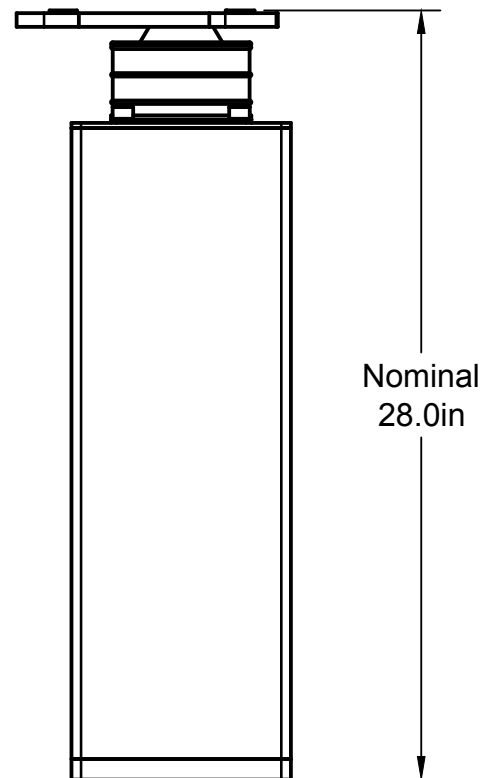


Passive Vibration  
Mount Supports From  
150 lbs to 600lbs  
[68 kg to 272 kg]



For information only, not for manufacturing subject to change without notice.  
© 2018 Base Lab Tools Inc, All Rights Reserved.

<b>Base Lab Tools Inc</b> 140 N 2nd St, #3 Stroudsburg, PA 18360 <a href="http://www.BaseLabTools.com">www.BaseLabTools.com</a> Phone: 570-371-5710		PROJECT			
		<b>Support Drawing</b>			
		TITLE			
		<b>TLS-P6-28 Table Leg Supports</b>			
APPROVED JM	6/7/2018	SIZE	CODE	DWG NO	REV
CHECKED JM	6/7/2018	B		TLS-P6-28	6
DRAWN BP	6/7/2018	SCALE 1:7		WEIGHT 43.7 lbs	SHEET 1/1