

Vibration Isolating Air Mounts

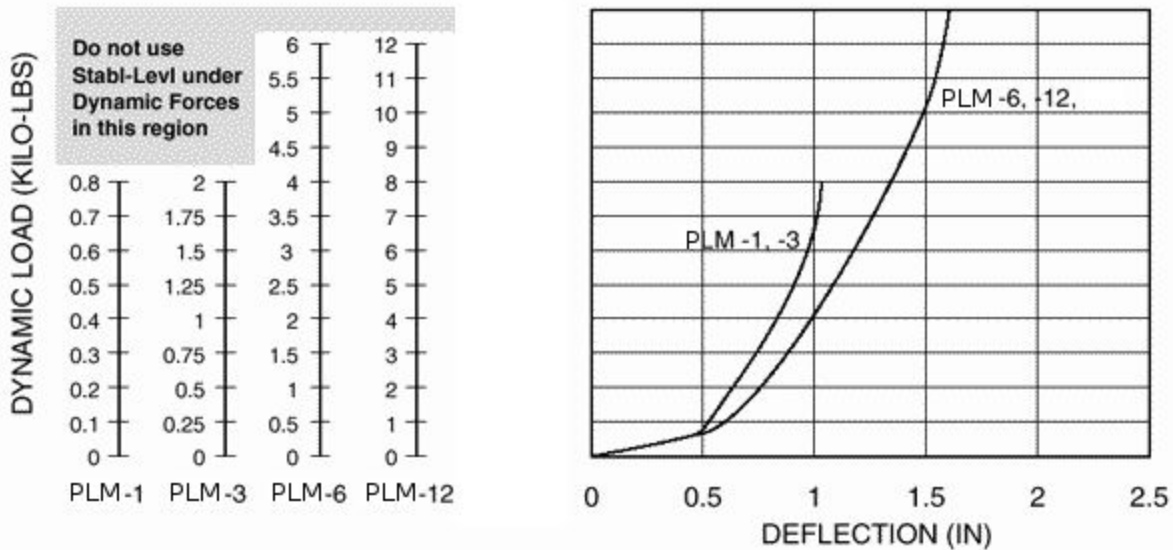
FEATURES:

- Air spring isolator with integral heavy wall construction.
- Deflection transfers shock to outer wall.
- Will not bottom out.
- Continued support & isolation even with no air pressure.

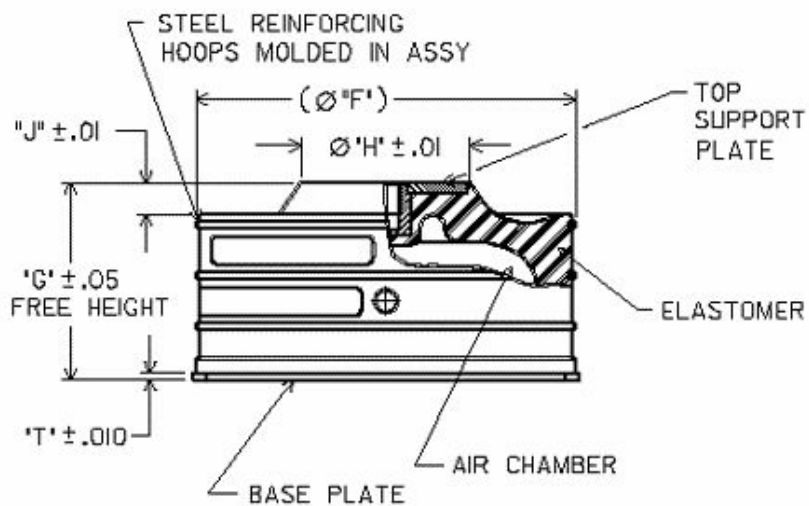
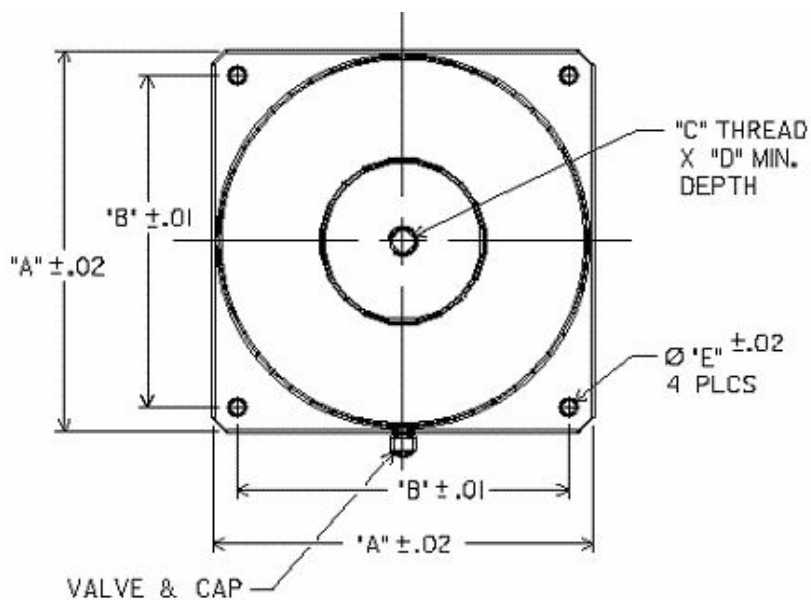


TYPE #	MAX. LOAD LBS.	MAX PRESSURE PSIG	DIMENSIONS										WT. (LBS.)
			"A"	"B"	"C"	"D"	"E"	("F")	"G"	"H"	"J"	"T"	
PLM-1A	100	60	3.00	2.38	.375-16 UNC-2B	.47	.28	2.88	2.50	1.00	.50	1.25	1
PLM-3A	300	60	4.19	3.50	.500-13 UNC-2B	.53	.28	4.14	2.45	2.06	.54	.125	1.5
PLM-6A	600	80	5.12	4.25	.500-13 UNC-2B	.53	.29	4.99	3.50	2.33	.56	.125	3.25
PLM-12A	1200	80	6.88	6.00	.500-13 UNC-2B	.53	.29	6.74	3.50	3.75	.56	.125	5.5

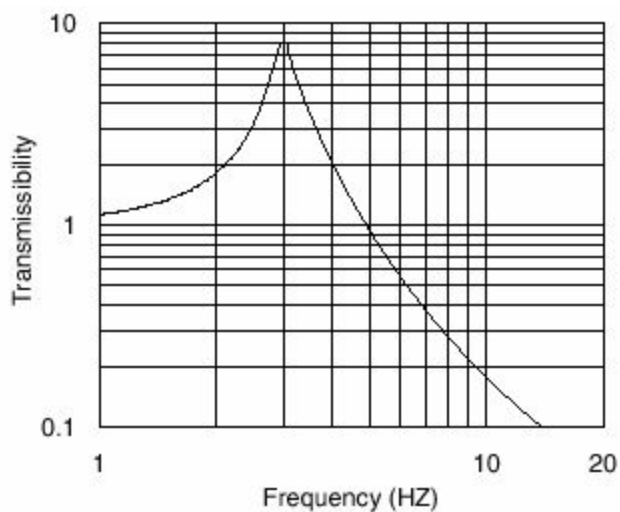
PLM Series Dynamic Load and Approximate Deflections



Dimensions and Performance Characteristics



Natural Frequency vs % Max Pressure and % Max Load



Typical Transmissibility

