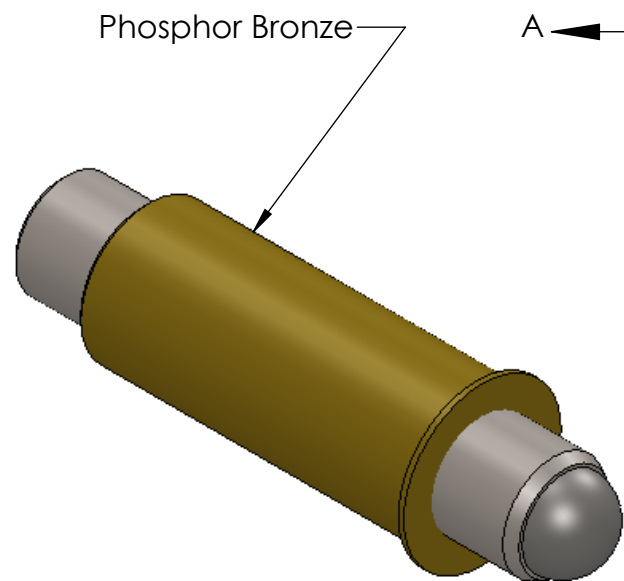
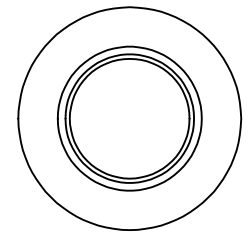
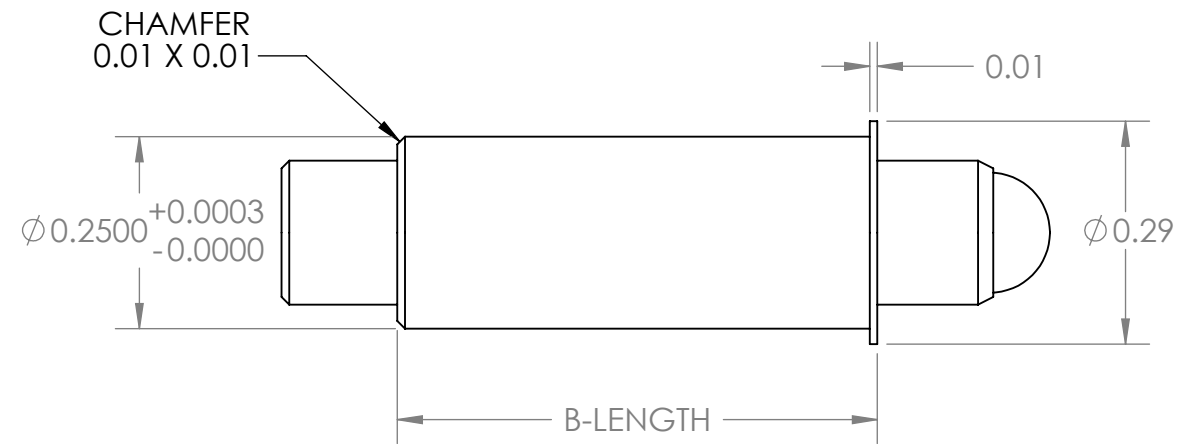
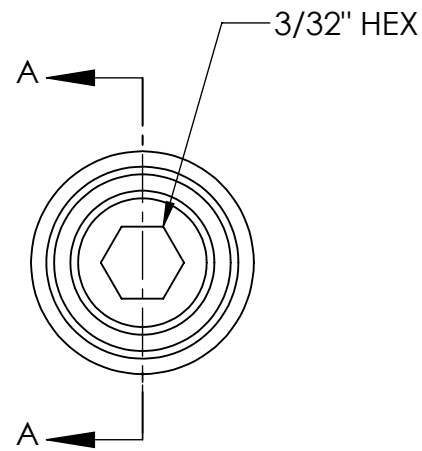
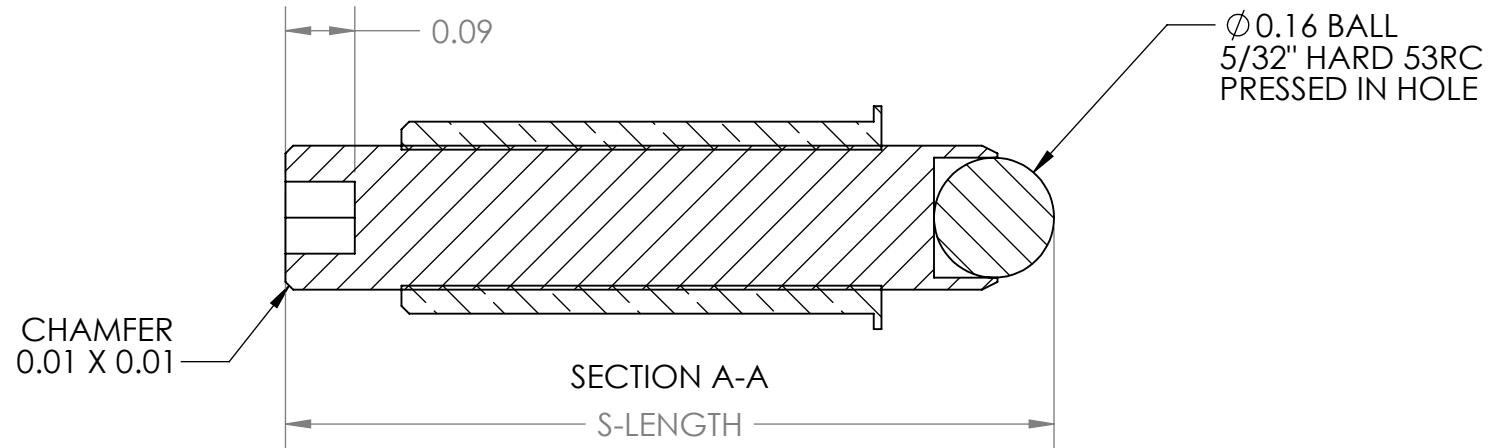


ITEM NUMBER	S-LENGTH	B-LENGTH
TS187-127-0375	0.375"	0.313"
TS187-127-0500	0.500"	0.438"
TS187-127-0625	0.625"	0.438"
TS187-127-0750	0.750"	0.438"
TS187-127-1000	1.00"	0.625"
TS187-127-1250	1.25"	0.625"
TS187-127-1500	1.50"	0.625"
TS187-127-1750	1.75"	0.625"
TS187-127-2000	2.00"	0.750"



FOR INFORMATION ONLY
 NOT FOR MANUFACTURING
 ITEM / DRAWING IS SUBJECT TO CHANGES WITOUT NOTIFICATION

	NAME	DATE	BASE OPTICS LLC		
DRAWN	LS	12/27/11			
APPROVED	GE	01/10/12	TITLE:		
MATERIAL 18-8 (303)			3/16"-127 SCREW/BUSHING (MATCHED PAIR)		
FINISH N/A					
NOTE BETTER THAN CLASS 3			SIZE A	ITEM NO. TS187-127-XXXX	REV A
COPYRIGHT © 2012 BY BASE OPTICS			SCALE: 4:1	WEIGHT: N/A lbs	SHEET 1 OF 1