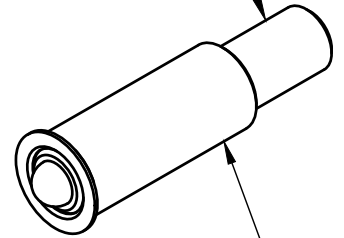
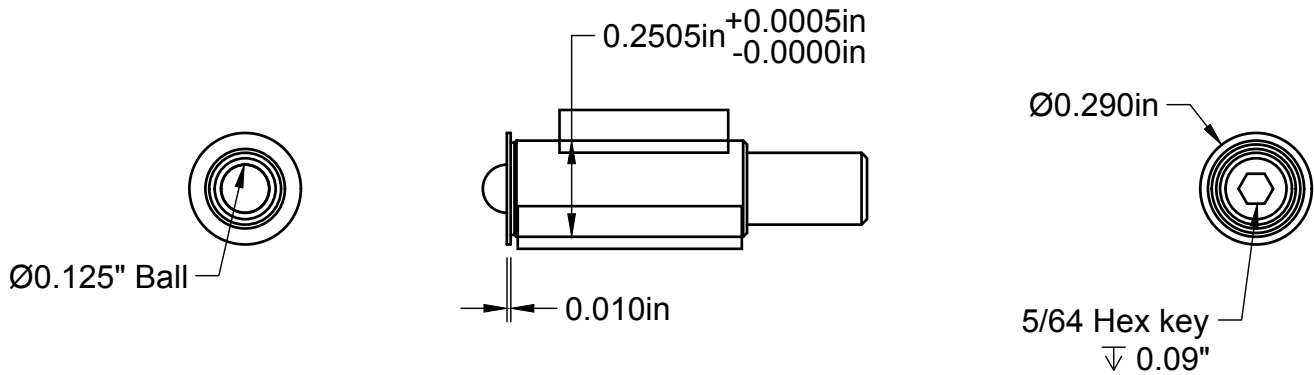


3/16-127-3A External Thread



3/16-127-3A Internal Thread

Item	Screw Length (in)	Bushing Length (in)
TS187-127-0375	0.375	0.312
TS187-127-0500	0.500	0.437
TS187-127-0625	0.625	0.437
TS187-127-0750	0.750	0.437
TS187-127-1000	1.000	0.625
TS187-127-1250	1.250	0.625
TS187-127-1500	1.500	0.625
TS187-127-1750	1.750	0.625
TS187-127-2000	2.000	0.625



For information only, not for manufacturing. Subject to change without notice.
 © 2022 Base Lab Tools Inc, All Rights Reserved.

Base Lab Tools Inc 90 N 1st St Stroudsburg, PA 18360 www.BaseLabTools.com Phone: 570-371-5710	PROJECT				
	Support Drawing				
	TITLE				
	TS187-127-XXXX 3/16-127 Fine Adjustment Screws				
APPROVED JM	10/4/22	SIZE	CODE	DWG NO	REV
CHECKED JM	10/4/22	A		TS187-127-XXXX	2
DRAWN JE	10/4/22	SCALE 2:1	WEIGHT	SHEET 1/1	