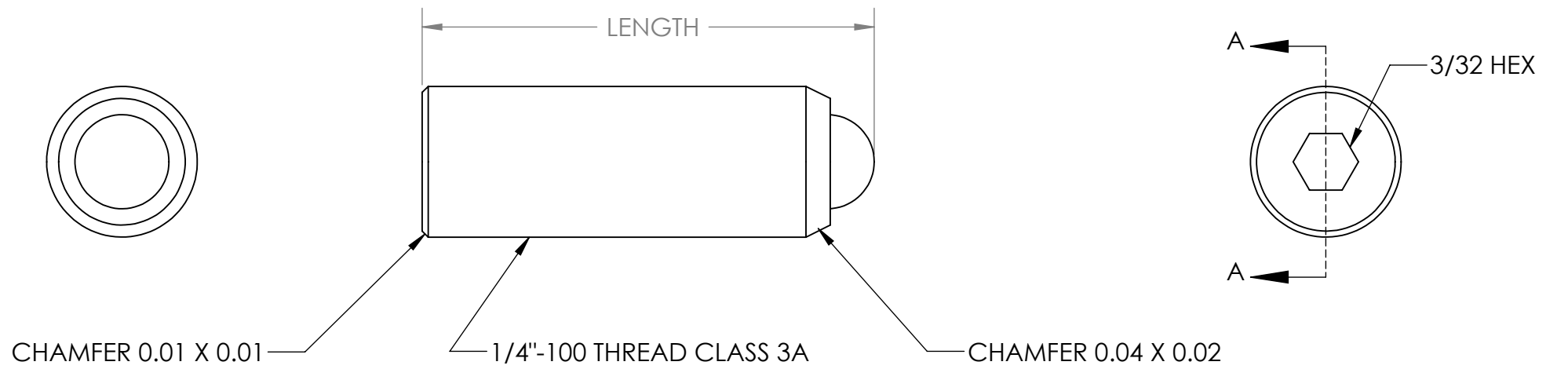
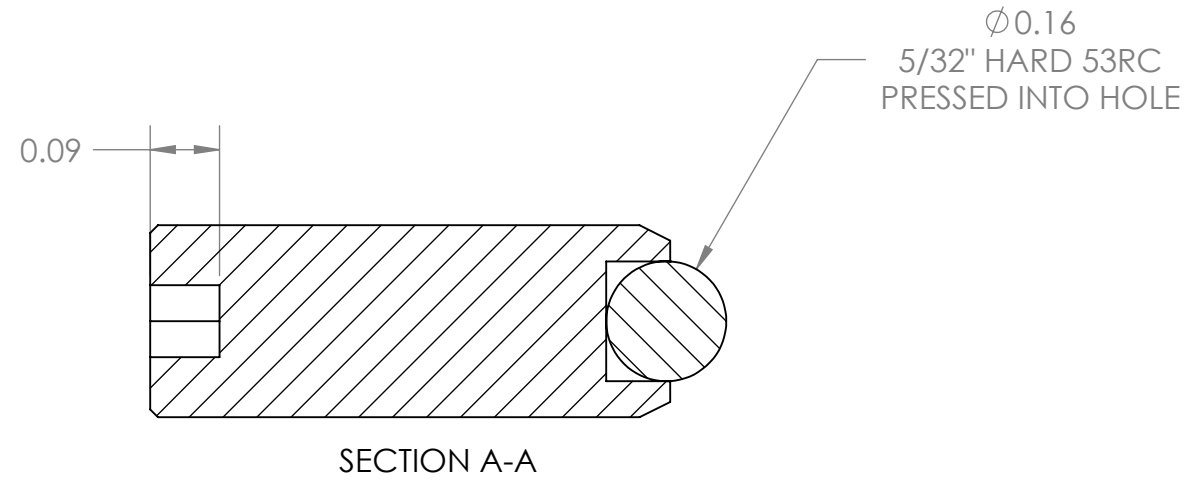
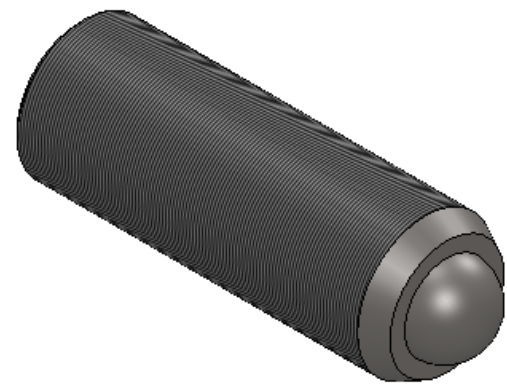


| ITEM NUMBER | LENGTH |
|----------------|--------|
| TS250-100-0313 | 0.313" |
| TS250-100-0375 | 0.375" |
| TS250-100-0438 | 0.438" |
| TS250-100-0500 | 0.500" |
| TS250-100-0625 | 0.625" |
| TS250-100-0750 | 0.750" |
| TS250-100-1000 | 1.00" |
| TS250-100-1125 | 1.13 |
| TS250-100-1250 | 1.25" |
| TS250-100-1500 | 1.50" |
| TS250-100-1750 | 1.75" |
| TS250-100-2000 | 2.00" |
| TS250-100-2125 | 2.13" |
| TS250-100-2250 | 2.25" |
| TS250-100-2500 | 2.50" |
| TS250-100-2750 | 2.75" |
| TS250-100-3000 | 3.00" |
| TS250-100-3125 | 3.13 |
| TS250-100-3250 | 3.25" |
| TS250-100-3500 | 3.50" |
| TS250-100-3750 | 3.75" |
| TS250-100-4000 | 4.00" |
| TS250-100-6000 | 6.00" |



FOR INFORMATION ONLY
 NOT FOR MANUFACTURING
 ITEM / DRAWING IS SUBJECT TO CHANGES WITOUT NOTIFICATION

| | | | | |
|---------------------------------|------|----------|---|-----------------|
| | NAME | DATE | BASE OPTICS LLC | |
| DRAWN | LS | 01/21/12 | | |
| APPROVED | GE | 01/20/12 | TITLE: | |
| MATERIAL | | | 1/4"-100 FINE ADJUSTMENT SCREW | |
| 18-8 (303) S.S. | | | | |
| FINISH | | | SIZE | ITEM NO. |
| N/A | | | B | TS250-100-XXXX |
| NOTE | | | REV | |
| BETTER THAN CLASS 3 | | | A | |
| COPYRIGHT © 2012 BY BASE OPTICS | | | SCALE: 4:1 | WEIGHT: N/A lbs |
| | | | SHEET 1 OF 1 | |