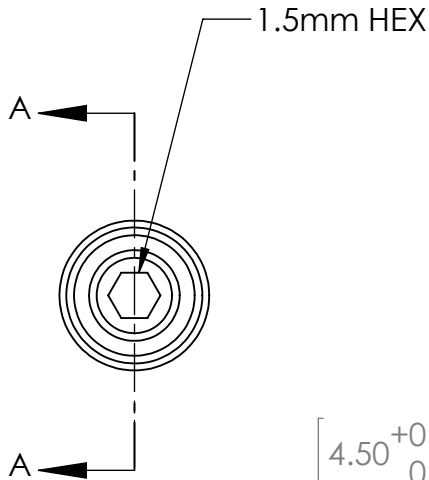
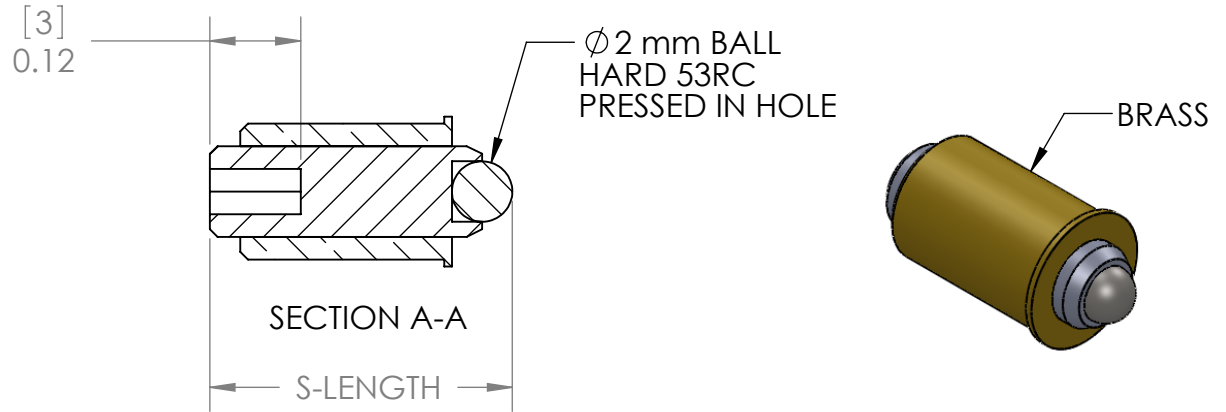
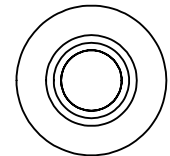
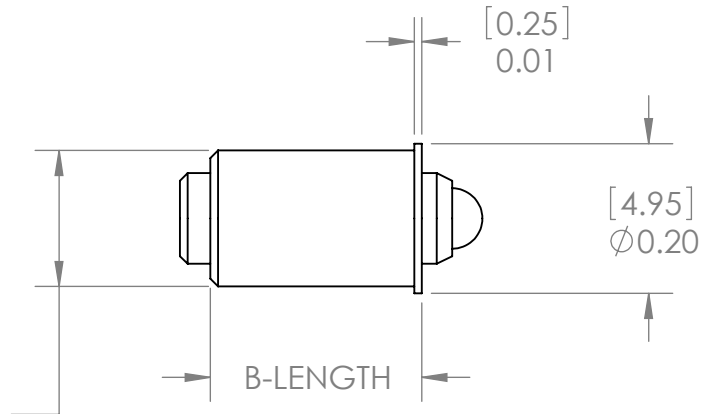


ITEM NUMBER	S-LENGTH	B-LENGTH
TS3-010-008	8 mm	7 mm
TS3-010-010	10 mm	7 mm
TS3-010-012	12 mm	7 mm
TS3-010-015	15 mm	7 mm
TS3-010-020	20 mm	7 mm
TS3-010-025	25 mm	7 mm



$4.50^{+0.01}_0$
 $\varnothing 0.1770^{+0.0003}_{-0.0000}$



		NAME	DATE	BASE OPTICS LLC	
DRAWN	LS	10/18/12	TITLE: M3-0.10 (254TPI) MATCHED PAIR		
APPROVED	GE	10/18/2012			
MATERIAL 18-8 (303)					
FINISH N/A			SIZE	ITEM NO.	REV
NOTE BETTER THAN CLASS 3			A	TS3-010-XXX	B
COPYRIGHT © 2012 BY BASE OPTICS			SCALE: 4:1	WEIGHT: N/A lbs	SHEET 1 OF 1

FOR INFORMATION ONLY
NOT FOR MANUFACTURING
ITEM / DRAWING IS SUBJECT TO CHANGES WITOUT NOTIFICATION