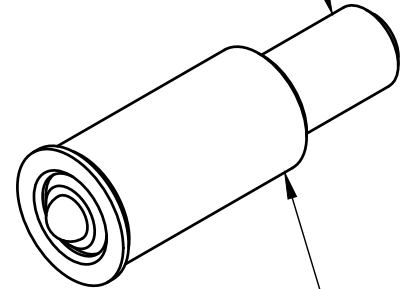
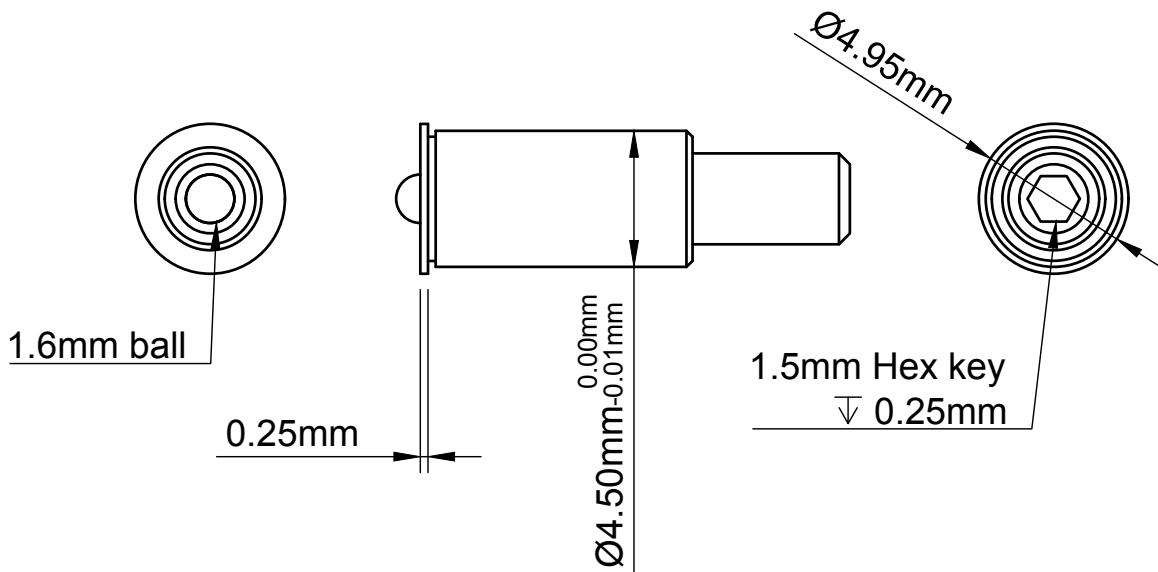


M3-0.1 External Thread



M3-0.1 Internal Thread

Item	Screw Length (mm)	Bushing Length (mm)
TS3-010-008	8	5
TS3-010-010	10	7
TS3-010-012	12	9
TS3-010-015	15	9
TS3-010-020	20	9
TS3-010-025	25	9
TS3-010-030	30	9



For information only, not for manufacturing. Subject to change without notice. © 2022 Base Lab Tools Inc, All Rights Reserved.

Dept.	Technical reference	Created by JE	10/4/22	Approved by JM	10/4/22
<b>Base Lab Tools Inc</b> 90 N 1st St Stroudsburg, PA 18360 www.BaseLabTools.com Phone: 570-371-5710		Document type Support Drawing		Document status	
		Title M3-0.1 Metric Fine Adjustment Screws and Bushings		DWG No. TS3-010-XXX	
		Rev. 2	Date of issue 10/4/22	Sheet 1/1	